



Spare Parts Catalog

Issue : 2015-01-05

Copyright © 2014 Signatech Automobiles

All rights reserved. No part of this document may be reproduced or copied in any form or by any means without written permission from Signatech Automobiles.

The content of this manual is in accordance with the design and construction of the machine or equipment at the time of publishing. Signatech Automobiles reserves the right to introduce design modifications without prior notice.

This equipment was manufactured and this document was produced by :

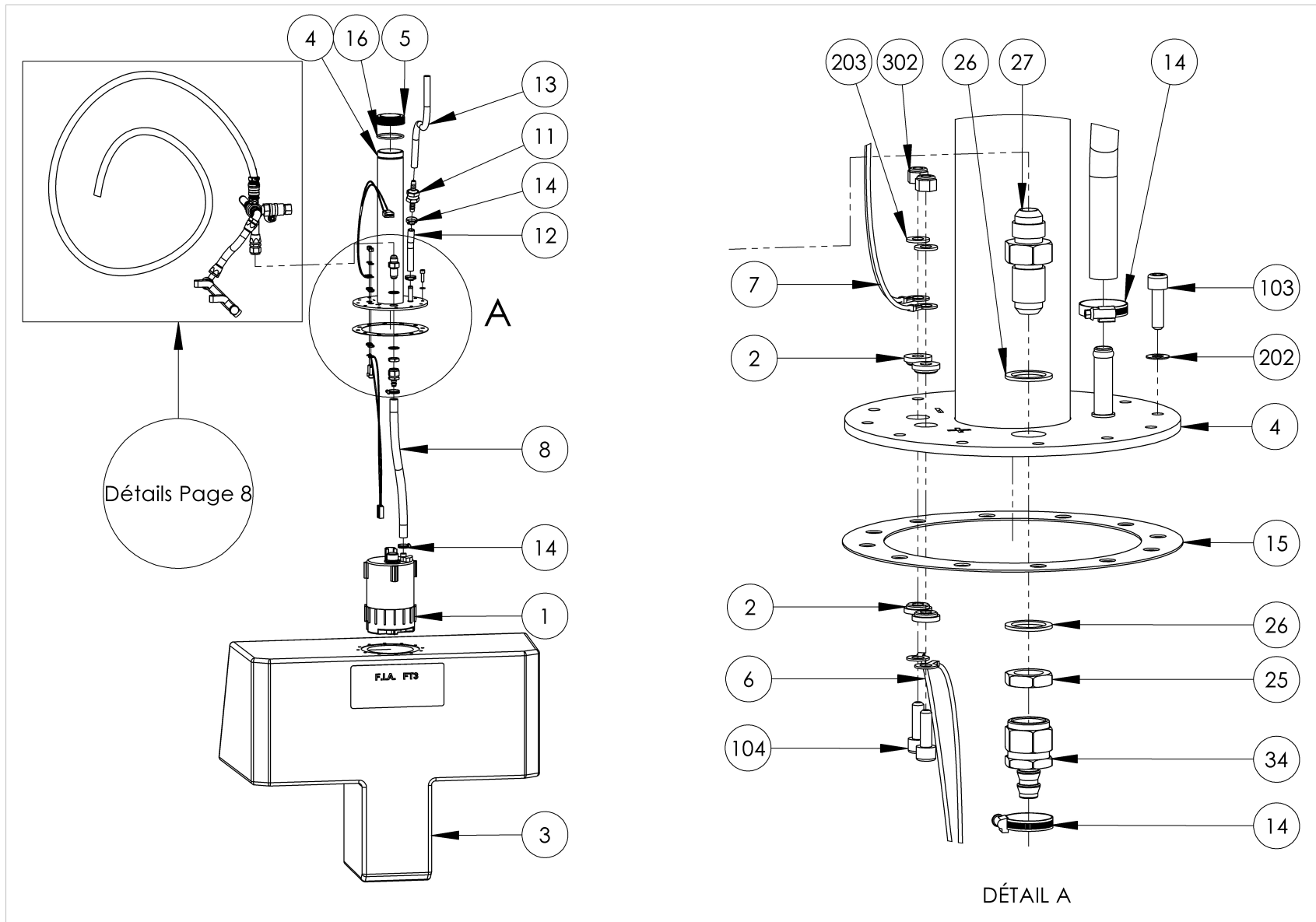
Signatech Automobiles
Parc Esprit 1
Rue Michael Faraday
18000 Bourges
France

Phone/Fax: +33 2 48 02 01 77
E-mail: signatech@signature-team.com

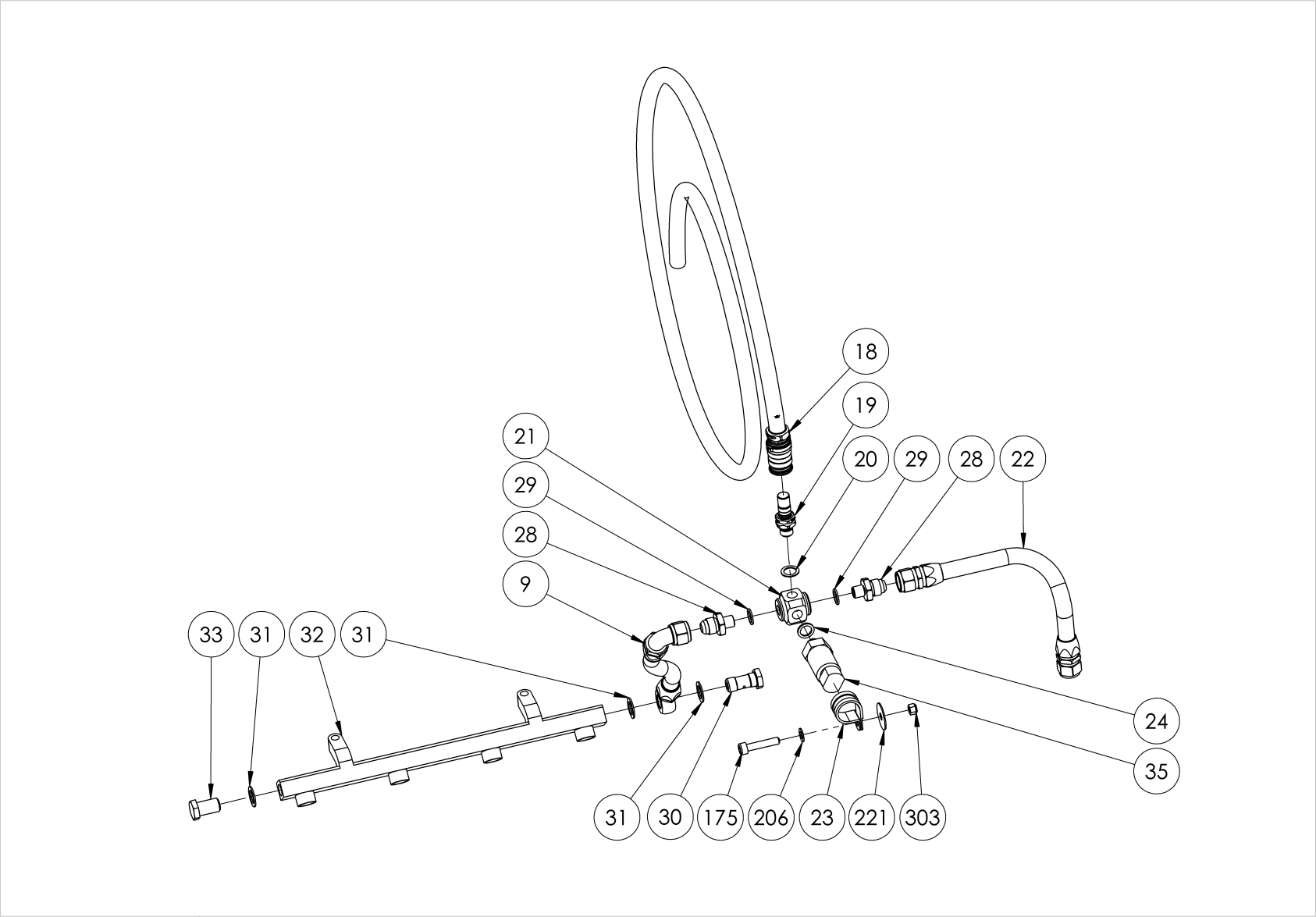
Table of Contents

Reference	Part Group	Page
G04-01	Fuel system	6
G04-02	Oil System	10
G04-03	Water system	12
G04-04	Fire system + Battery System + ECU + Power Loom	16
G04-05	Chassis	18
G04-05A	Chassis, Roll Hoop & Padding	18
G04-05B	Chassis Rear Face	20
G04-05C	Front Hatch & Crash Box fixing	22
G04-05D	Radiator Duct	24
G04-06	Engine	26
G04-06A	Engine & Accessories	26
G04-06B	Sump - Engine	30
G04-06C	Exhausts 2014	32
G04-06D	Clutch	34
G04-07	Bodywork	36
G04-07A	Sidepods	36
G04-07B	Engine Cover	38
G04-07C	Mirrors & Windshield	40
G04-08	Nosebox & Front Wing	42
G04-09	Rear Wing Assy	44
G04-10	Floor	46
G04-11	Steering System	48
G04-12	Hydraulic	50
G04-13	Gearbox	52
G04-13A	Bell Housing	52
G04-13B	Gearbox	54
G04-13C	Input Shaft Assy	56
G04-13D	Output Shaft Assy	58
G04-13E	Differential Assy	60
G04-13F	Shifting	62
G04-13G	Gearbox Casing	66

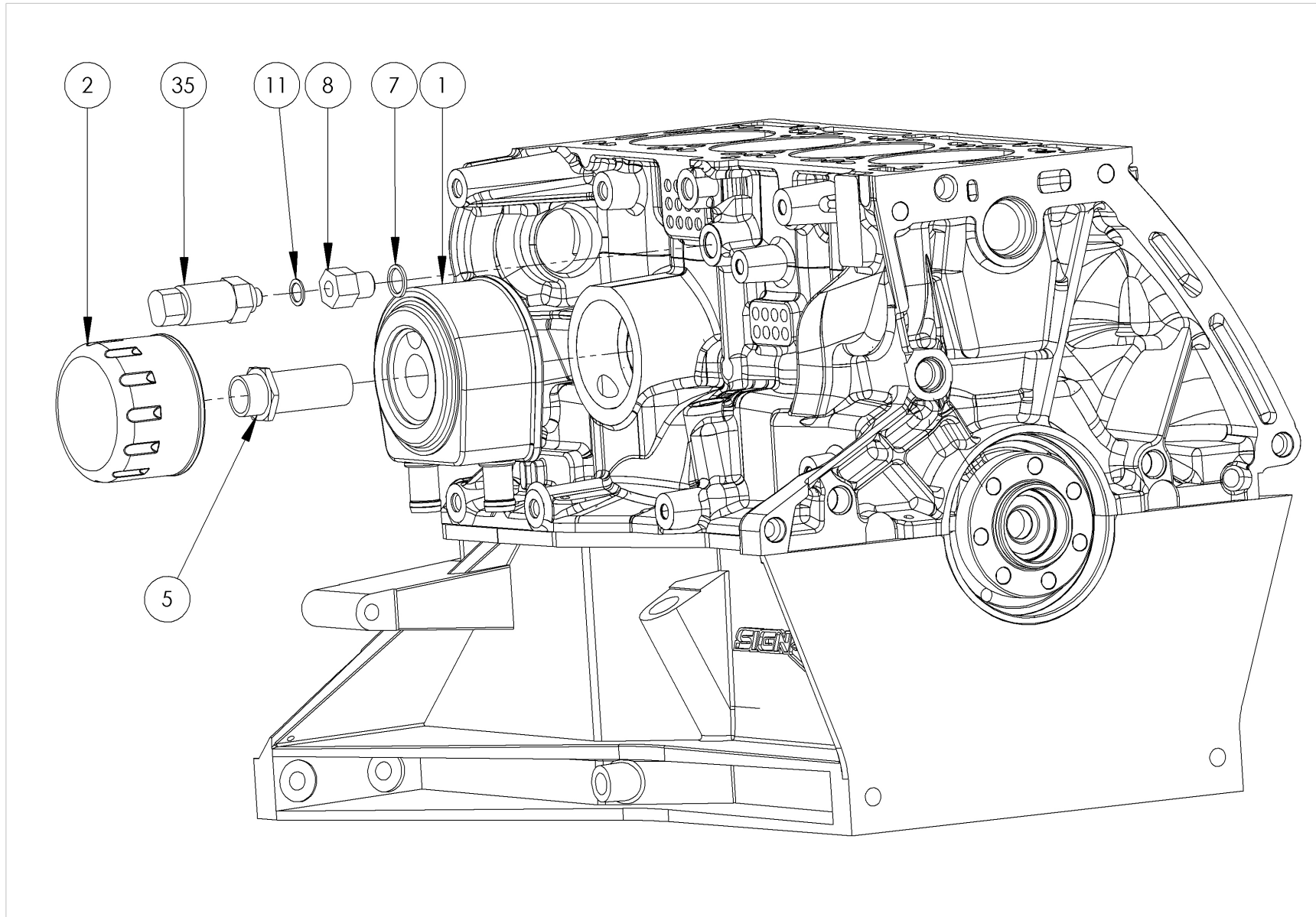
Reference	Part Group	Page
G04-14	<u>Gearshift Mechanism & Pedals</u>	68
G04-14A	Gearshift Mechanism	68
G04-14B	Pedal Assy	70
G04-14C	Pedals	72
G04-14D	Dash Panel	74
G04-15	<u>Drive Shaft</u>	76
G04-16	<u>Rear Suspension</u>	78
G04-16A	Rear Suspension Assy	78
G04-16B	Rear Upright Assy	80
G04-16D	Rear Rocker Assy	82
G04-17	<u>Front Suspension</u>	86
G04-17A	Front Suspension Assy	86
G04-17B	Front Upright Assy	88
G04-17C	Wheel Assy	90
G04-17D	Front Rocker	92
G04-18	<u>Loom</u>	96
G04-19	<u>Safety Harness</u>	98
G04-20	<u>Tooling</u>	102
G04-23	<u>Extractable Seat</u>	104



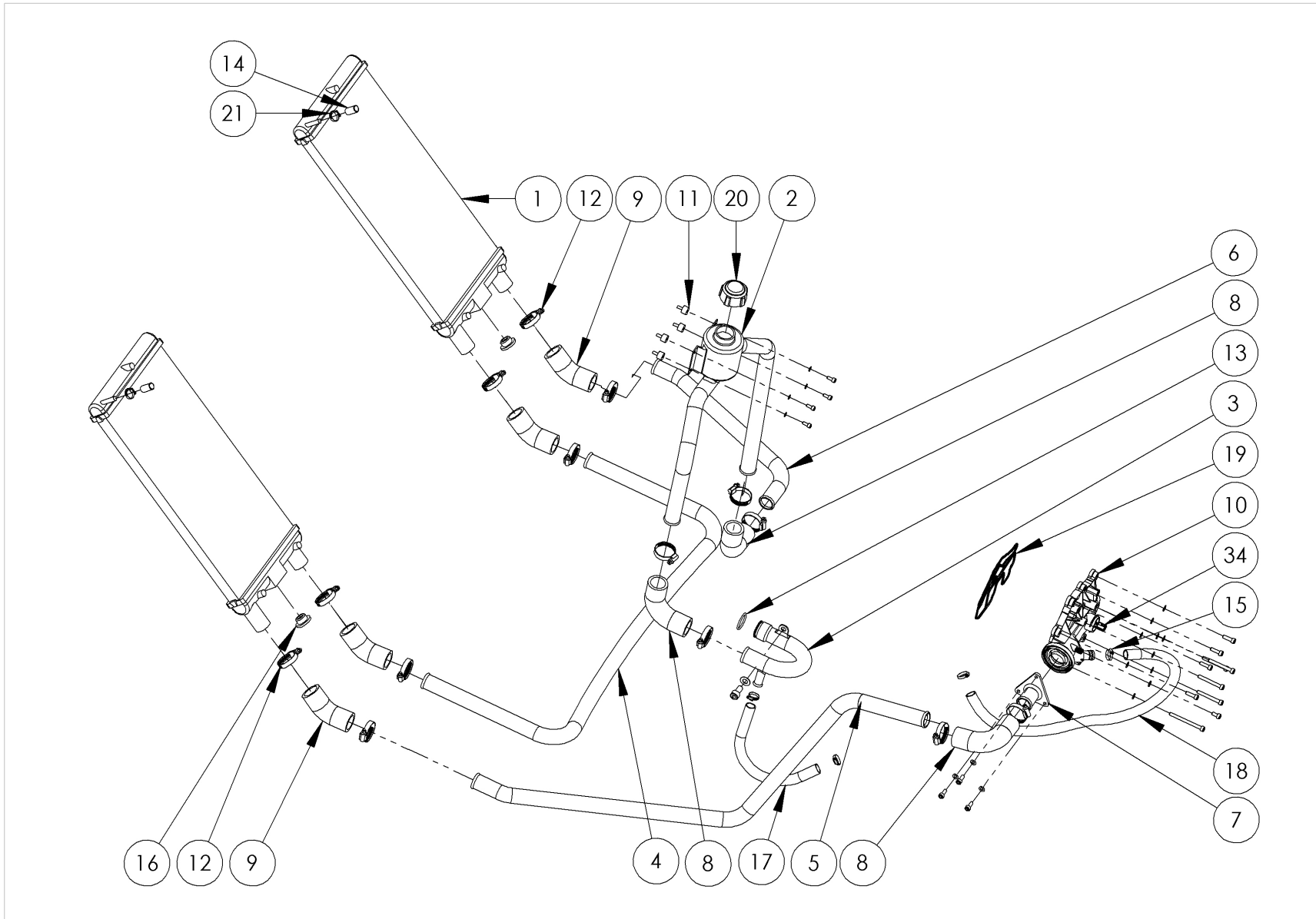
Rep.	Reference	Part Name	Qty	Comment
	G04-01000	Fuel System		
1	G04-01A001V1	Fuel Pump	1	
2	G04-01A002V1	Fuel Pump Contact Washer	4	
3	G04-01A003V3	Fuel Tank	1	
4	G04-01A004V3	Fuel Filler Tube	1	
5	G04-01A005V1	Fuel Cap	1	
6	G04-01A006V2	Fuel Pump Loom	1	
7	G04-01A007V2	Fuel Tank Loom	1	
8	G04-01A008V2	Fuel Pump Hose 380 mm, Ø8	1	
11	G04-01A011V1	Fuel Tank Valve	1	
12	G04-01A012V1	Fuel Tank Valve Hose 90 mm, Ø7.5 x 14 mm	1	
13	G04-01A013V1	Fuel Tank Valve Hose 210 mm, Ø7.5 x 14 mm	1	
14	G04-01A014V1	Serflex Ø13 - 15 mm	4	
15	G04-01A015V1	Fuel Tank Joint	1	
16	G04-01A016V1	O'ring Ø50 x 3 mm	1	
25	G04-01A025V1	Bulkhead Nut	1	
26	G04-01A026V1	Teflon Washer	2	
27	G04-01A027V1	Fuel Filler Tube Bulkhead	1	
34	G04-01A034V1	Fuel Pump Hose Connector	1	
103	G04-21A003V1	CHC M5 x 18	12	
104	G04-21A004V1	CHC M5 x 16	2	
202	G04-21B002V1	Onduflex Ø5	12	
203	G04-21B003V1	Flat Washer Ø5 x 10	2	
302	G04-21C002V1	Nylstop M5	2	



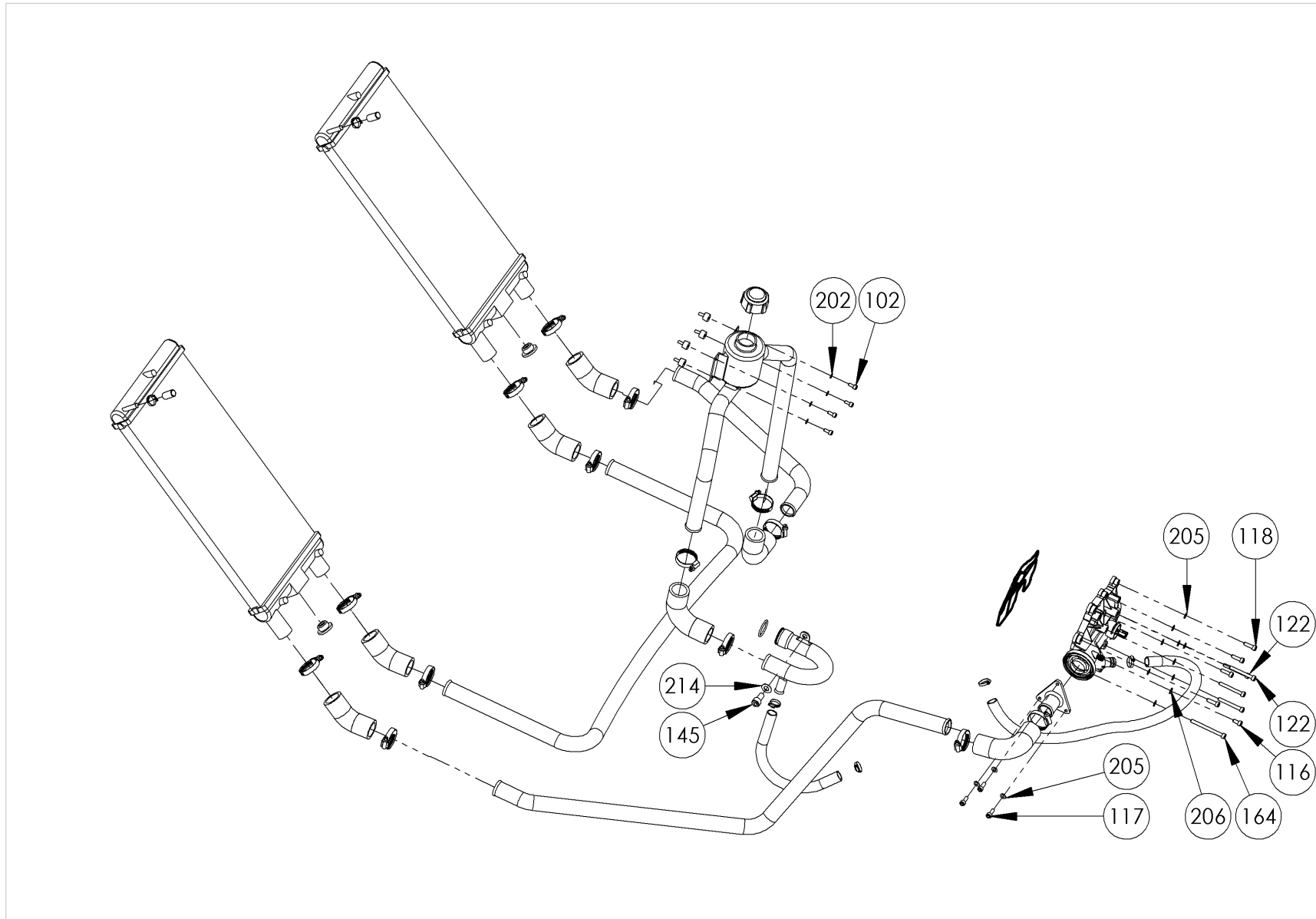
Rep.	Reference	Part Name	Qty	Comment
	G04-01A000	Fuel System		
9	G04-01A009V2	Fuel Tank Hose	1	Included in Fuel Connector Kit
17	G04-01A017V2	Fuel T Connector Kit	1	
18	G04-01A018V1	Fuel Tank Draining Connector & Hose 1500 mm, Ø7.5 x 14 mm	1	
19	G04-01A019V1	Quick Release Connector	1	Loctite 577 / Included in Fuel Connector Kit
20	G04-01A020V1	Copper Washer Ø11 x 1.3 mm	1	Included in Fuel Connector Kit
21	G04-01A021V2	T Connector	1	Included in Fuel Connector Kit
22	G04-01A022V2	Fuel Tank Hose	1	
28	G04-01A028V1	T Connector Adapter	2	Included in Fuel Connector Kit
29	G04-01A029V1	Aluminium Washer	2	Included in Fuel Connector Kit
30	G04-01A030V1	Simple Banjo Screw M12 x 1.5	1	
31	G04-01A031V1	Aluminium Washer	3	
32	G04-01A032V1	Aluminium Injection Bar	1	
33	G04-01A033V1	Injection Bar Cap	1	
23	G04-09A006V1	Pipe Clamps Ø20 mm	1	Included in Fuel Connector Kit
24	G04-12A011V1	Copper Washer Ø10 x 0.8 mm	1	Included in Fuel Connector Kit
35	G04-18A035V1	Fuel Pressure Sensor	1	Loctite 577 / Included in Fuel Connector Kit
175	G04-21A075V1	CHC M6 x 30	1	
206	G04-21B006V1	Flat Washer Ø6 x 12	1	
221	G04-21B021V1	Flat Washer Ø6 x 24	1	
303	G04-21C003V1	Nylstop M6	1	



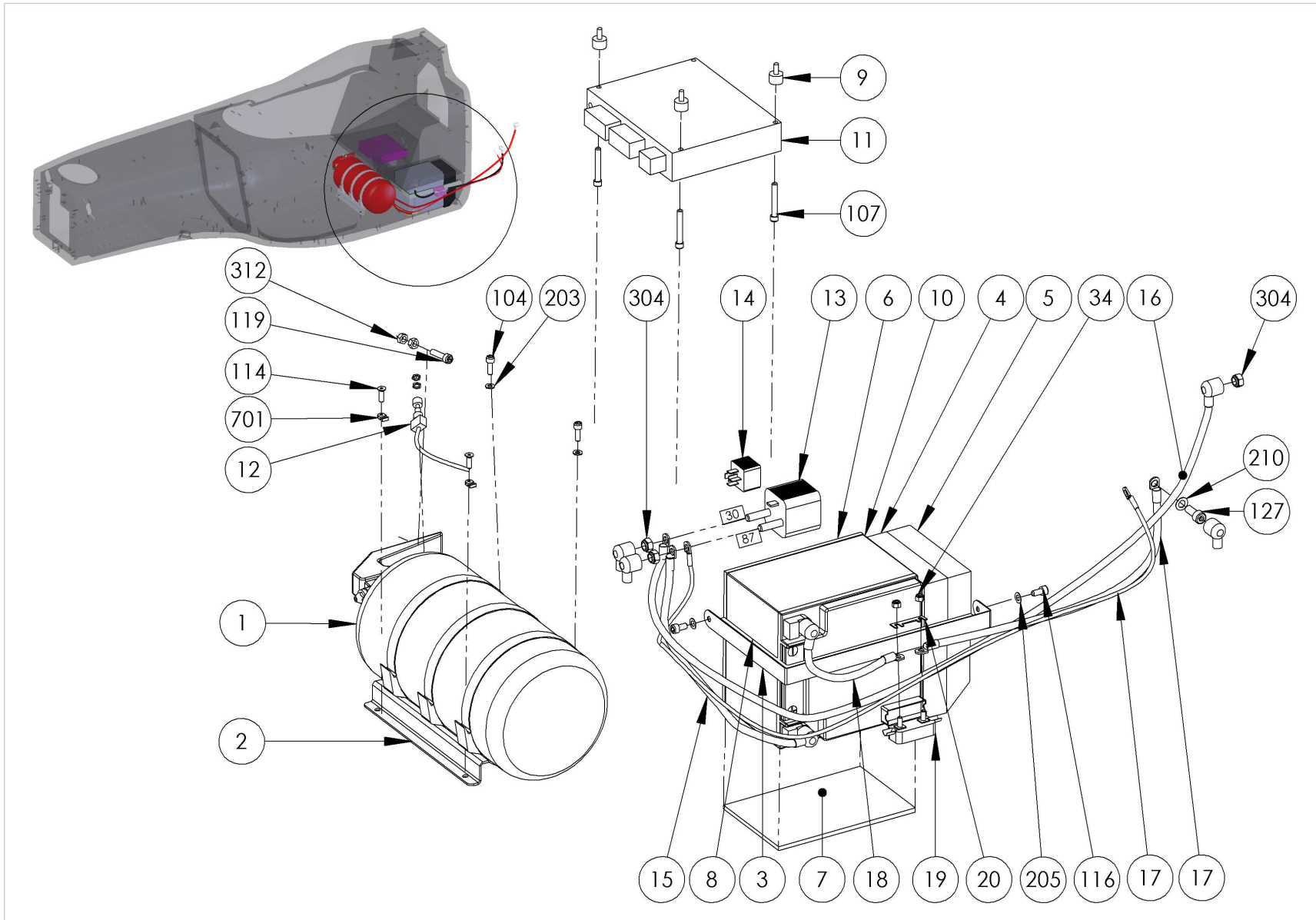
Rep.	Reference	Part Name	Qty	Comment
	G04-02000	Oil System		
1	G04-02A001V2	Oil - Water Heat Exchanger	1	H = 56.5 mm
2	G04-02A002V1	Oil Filter	1	
5	G04-02A005V2	Oil - Water Heat Exchanger Stud	1	H = 67 mm
7	G04-02A007V1	Oil Pressure Sensor Bush Washer Ø14 x Ø18 x 1.5 mm	1	
8	G04-02A008V1	Oil Pressure Sensor Bush Male Ø14 x 150, Female M10 x 100	1	
11	G04-12A011V1	Copper Washer Ø10 x 0.8 mm	1	
35	G04-18A035V1	Oil Pressure Sensor	1	



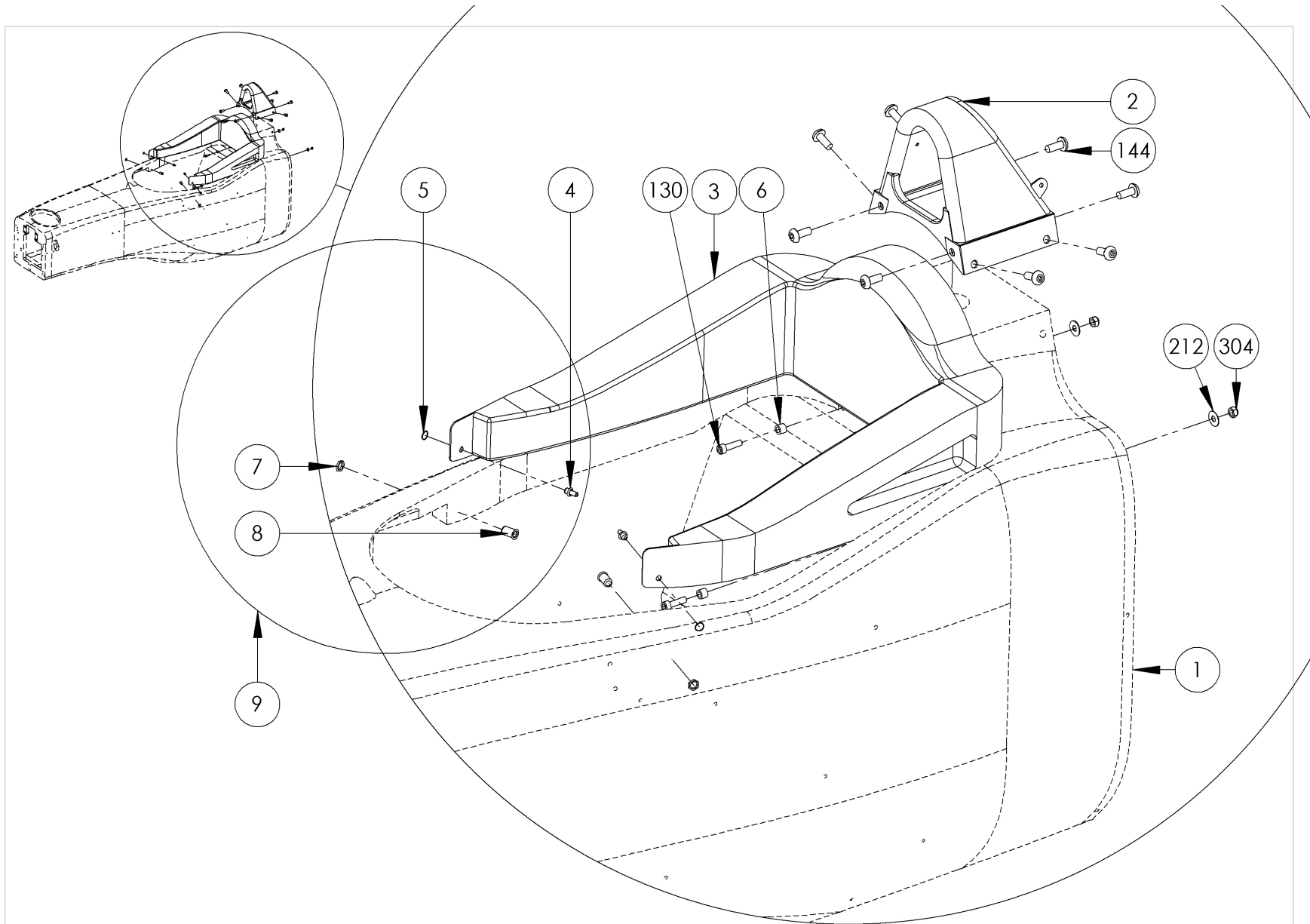
Rep.	Reference	Part Name	Qty	Comment
	G04-03000	<u>Water System</u>		
1	G04-03A001V1	Radiator	2	
2	G04-03A002V2	Water Tank	1	
3	G04-03A003V2	In Water Pipe	1	
4	G04-03A004V1	Central Water Pipe	1	
5	G04-03A005V1	Left Water Pipe	1	
6	G04-03A006V1	Right Water Pipe	1	
7	G04-03A007V1	Out Water Pipe	1	Silicon Gasket
8	G04-03A008V1	90° Hose	3	
9	G04-03A009V1	45° Hose	4	
10	G04-03A010V1	Out Water Box	1	
11	G04-03A011V1	Water Tank Silent Bloc M5 x 15	4	
12	G04-03A012V1	Serflex Ø30 - 45 mm	14	
13	G04-03A013V1	O Ring	1	
14	G04-03A014V1	Cap Ø8 mm	2	
15	G04-03A015V1	Serflex Ø12 - 22 mm	4	
16	G04-03A016V1	Radiator Plug	2	
17	G04-03A017V1	In Exchange Hose Ø14	1	
18	G04-03A018V1	Out Exchange Hose Ø14	1	
19	G04-03A019V1	Out Water Box Gasket	1	
20	G04-03A020V2	Water Tank Caps	1	
21	G04-01A014V1	Serflex Ø13 - 15 mm	2	
34	G04-18A034V1	Water Temperature Sensor and Washer	1	



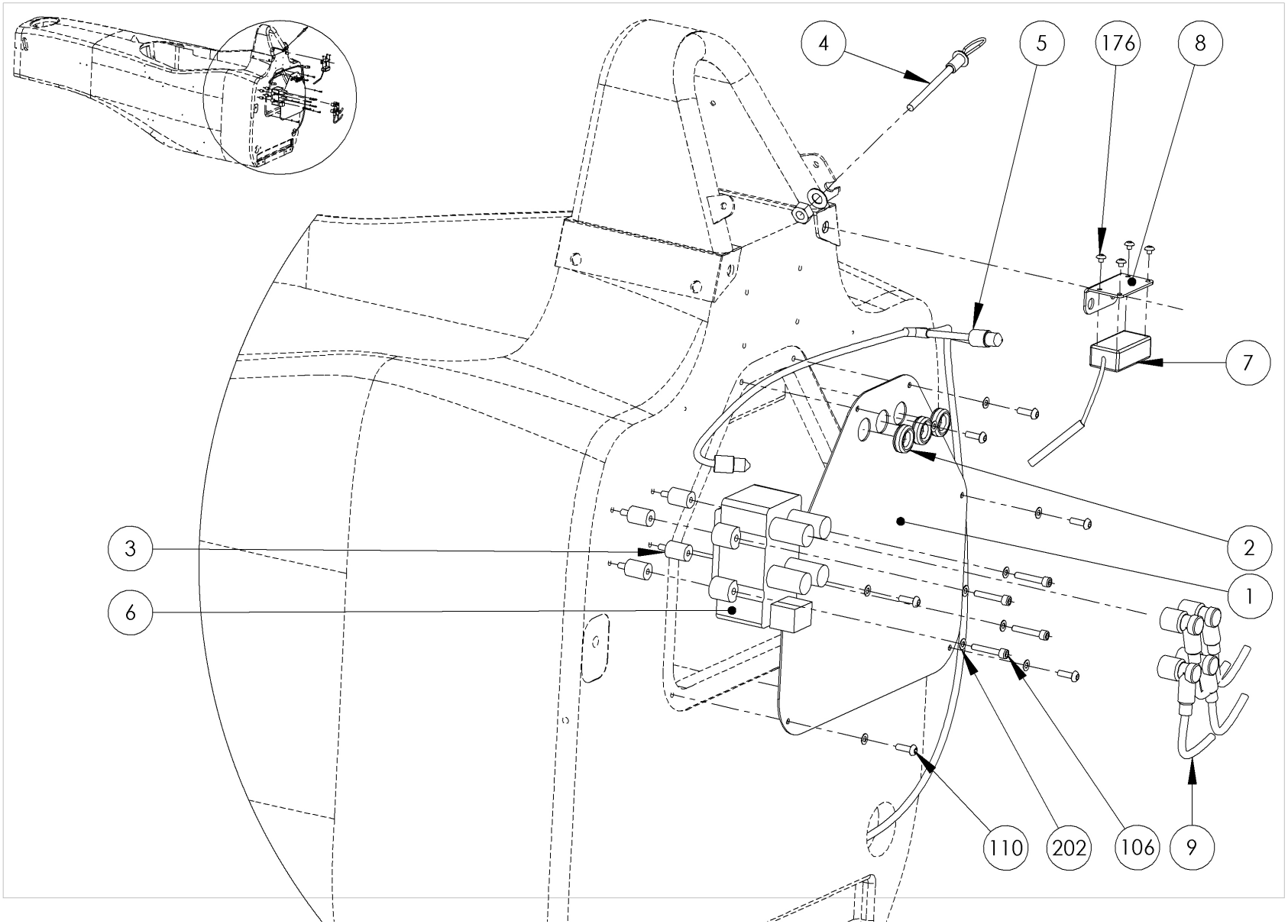
Rep.	Reference	Part Name	Qty	Comment
	G04-03000	<u>Water System</u>		
102	G04-21A002V1	CHC M5 x 12	4	
116	G04-21A016V1	CHC M6 x 12	1	
117	G04-21A017V1	CHC M6 x 16	3	
118	G04-21A018V1	CHC M6 x 20	4	
122	G04-21A022V1	CHC M6 x 50	4	
145	G04-21A045V1	CHC M10 x 20	1	
164	G04-21A064V1	CHC M6 x 75	1	
202	G04-21B002V1	Onduflex Ø5	4	
205	G04-21B005V1	Onduflex Ø6	12	
206	G04-21B006V1	Flat Washer Ø6 x 12	1	
214	G04-21B014V1	Onduflex Ø10	1	



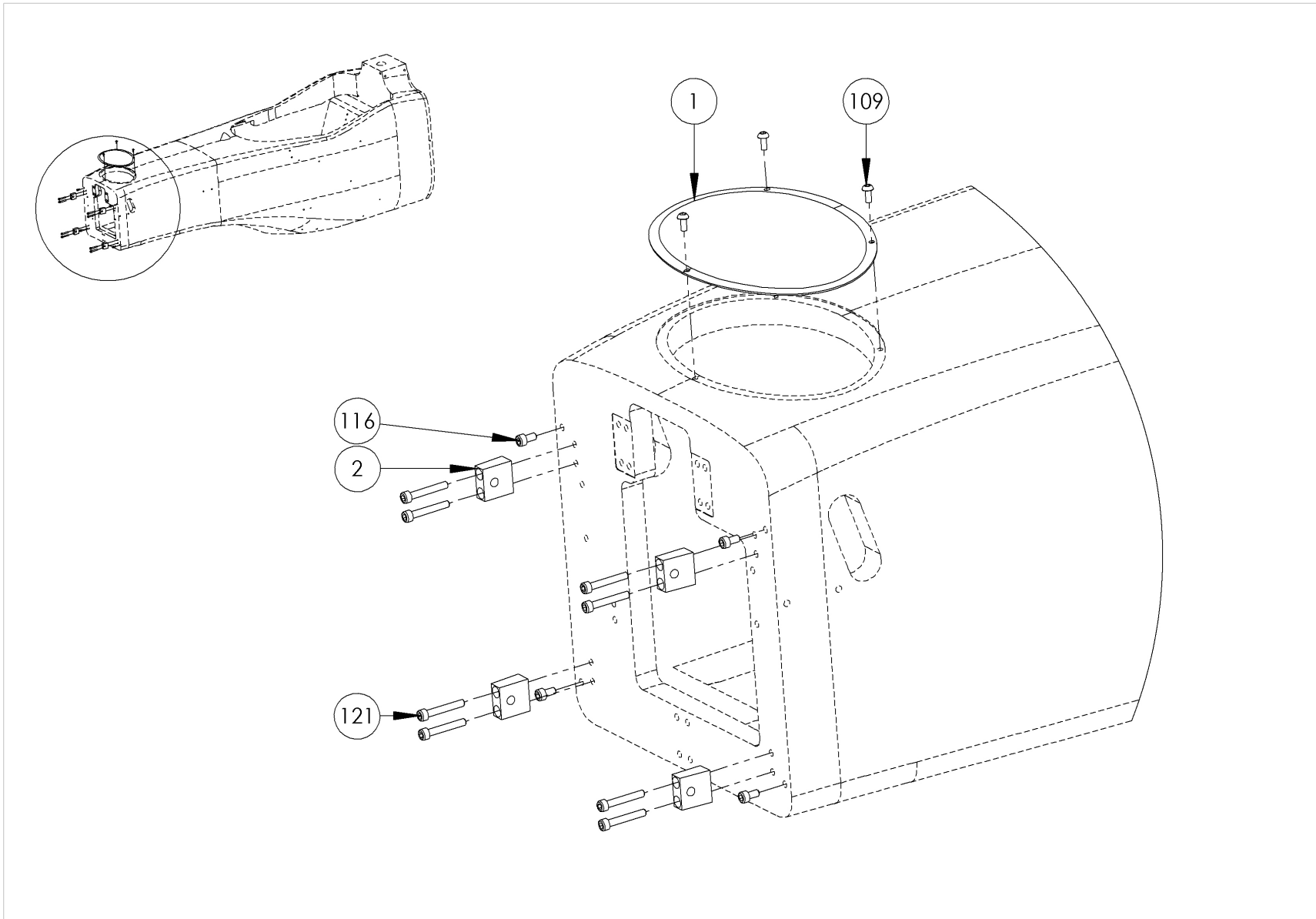
Rep.	Reference	Part Name	Qty	Comment
	G04-04000	Fire System + Battery System + ECU + Power Loom		
1	G04-04A001V2	Extinguisher	1	
2	G04-04A002V2	Extinguisher Support	1	
3	G04-04A003V1	Battery Fixing	1	
4	G04-04A004V1	Battery Foam 1 166 x 126 x 30 mm	1	
5	G04-04A005V1	Battery Foam 2 166 x 126 x 30 mm	1	
6	G04-04A006V1	Battery Foam 3 176 x 166 x 5 mm	1	
7	G04-04A007V1	Battery Foam 4 176 x 113 x 5 mm	1	
8	G04-04A008V1	Battery Foam 5 316 x 20 x 5 mm	1	
9	G04-03A011V1	ECU Silent Bloc M5 x 15	3	
10	G04-18A005V1	Battery	1	
11	G04-18A006V1	ECU	1	
12	G04-18A007V2	Fire Switch and Nuts	1	
13	G04-18A008V2	Main Relay	1	
14	G04-18A009V2	Fuel Relay	1	Fix with Dual Lock
15	G04-18A010V2	Positive Battery Power Cable	1	
16	G04-18A011V2	Positive Starter Power Cable	1	
17	G04-18A012V2	Engine Negative Power Cable	1	
18	G04-18A013V2	Battery Negative Power Cable	1	
19	G04-18A014V1	Fuse Box (incl. Nuts and Fuse)	1	
20	G04-18A015V1	Fuse (150A)	1	
21	G04-18A016V2	Alternator Cable	1	
104	G04-21A004V1	CHC M5 x 16	2	
107	G04-21A007V1	CHC M5 x 40	3	
114	G04-21A014V1	FHC M5 x 16	2	
116	G04-21A016V1	CHC M6 x 12	2	
119	G04-21A019V1	CHC M6 x 25	1	
127	G04-21A027V1	CHC M8 x 20	1	
203	G04-21B003V1	Flat Washer Ø5 x 10	2	
205	G04-21B005V1	Onduflex Ø6	2	
210	G04-21B010V1	Onduflex Ø8	1	
302	G04-21C002V1	Nylstop M5	2	
304	G04-21C004V1	Nylstop M8	3	
312	G04-21C012V1	Nut H M6	2	
701	G04-21G001V1	Cable Collar Bracket	2	



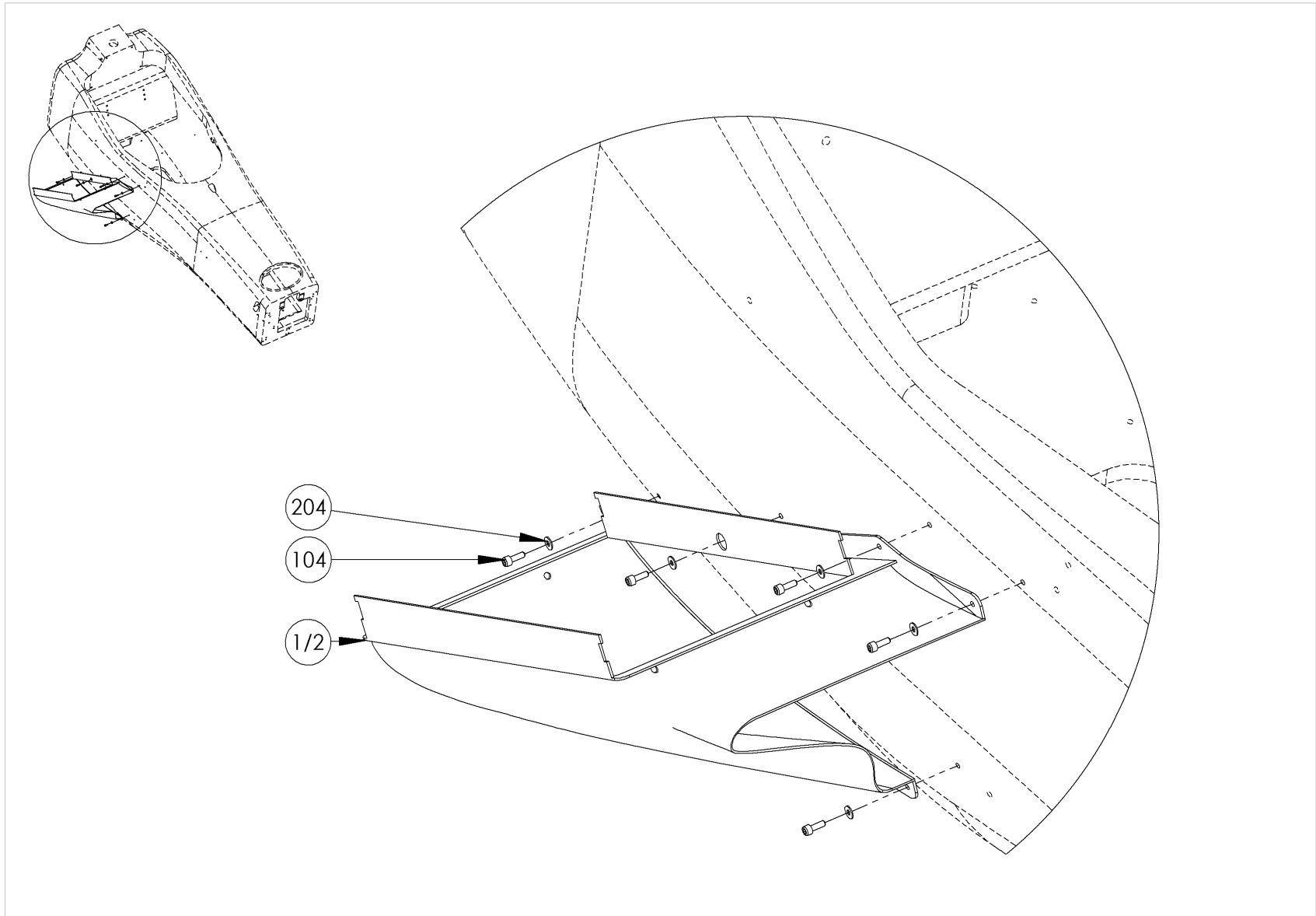
Rep.	Reference	Part Name	Qty	Comment
	G04-05000	Chassis		
	G04-05A000	Chassis, Roll Hoop & Padding		
1	G04-05A001V1	Monocoque	1	
2	G04-05A002V2	Roll Hoop +30 mm	1	
3	G04-05A003V1	Padding	1	
4	G04-05A004V1	Padding Fixing	2	
5	G04-05A005V1	Padding Fixing Washer	2	
6	G04-05A006V1	Padding Bush	2	
7	G04-05A007V1	Padding Fixing Nut	2	
8	G04-05A008V1	Padding Fixing Casing	2	
9	G04-05A009V1	Padding Fixing Assy	2	
130	G04-21A030V1	CHC M8 x 35	2	
144	G04-21A044V1	BHC M10 x 25	8	
212	G04-21B012V1	Flat Washer Ø8 x 22	2	
304	G04-21C004V1	Nylstop M8	2	



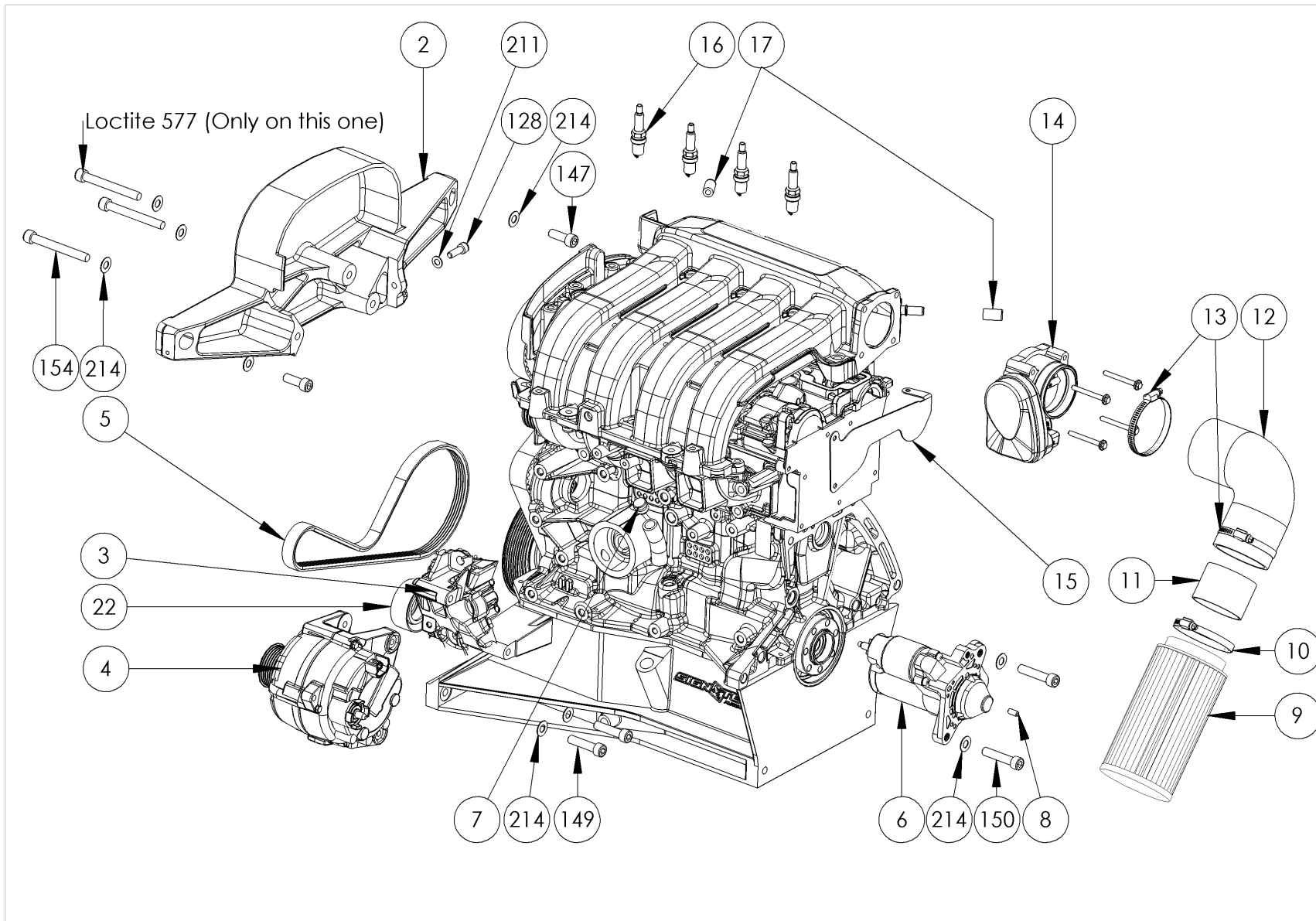
Rep.	Reference	Part Name	Qty	Comment
	G04-05B000	Chassis Rear Face		
1	G04-05B001V1	Fuel Tank Hatch	1	
2	G04-05B002V1	Grommet Ø14 x 22	3	
3	G04-05B003V1	Ignition Coil Silent Bloc M5 x 20	4	
4	G04-05B004V1	Fire Extinguisher Cable (incl. Nut and Washer)	1	
5	G04-05B005V1	Extinguisher Hose and Nozzle Assy	1	
6	G04-05B006V1	Ignition Coil	1	
7	G04-05B007V2	Beacon Receiver	1	
8	G04-05B008V2	Beacon Bracket	1	
9	G04-05B009V1	Ignition Loom	1	
106	G04-21A006V1	CHC M5 x 30	4	
110	G04-21A010V1	BHC M5 x 16	6	
176	G04-21A076V1	BHC M4 x 4	4	
202	G04-21B002V1	Onduflex Ø5	10	



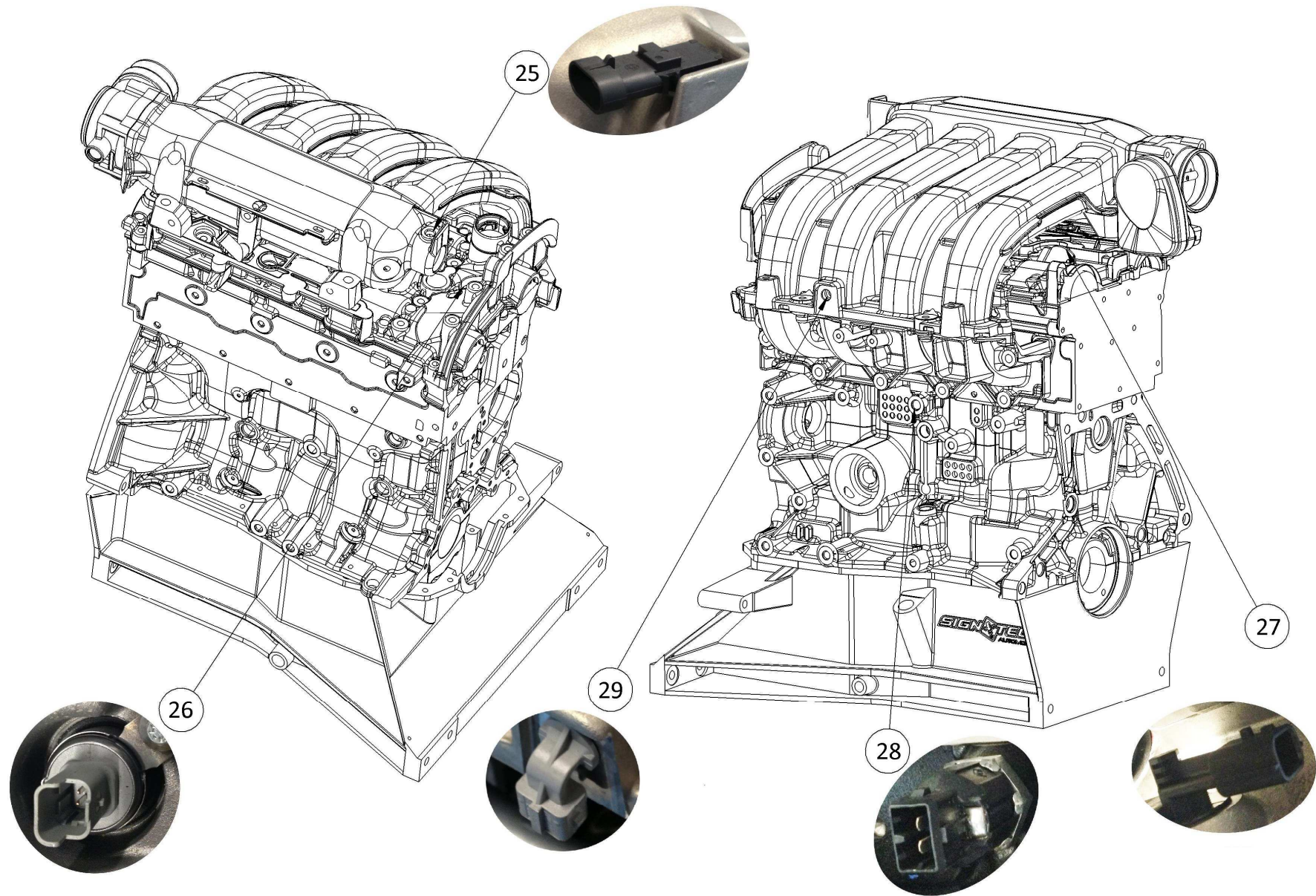
Rep.	Reference	Part Name	Qty	Comment
	G04-05C000	Front Hatch & Crash Box Fixing		
1	G04-05C001V1	Front Hatch	1	
2	G04-05C002V1	Crash Box Bracket	4	
109	G04-21A009V1	BHC M5 x 12	3	
116	G04-21A016V1	CHC M6 x 12	4	Loctite 270
121	G04-21A021V1	CHC M6 x 40	8	Loctite 243



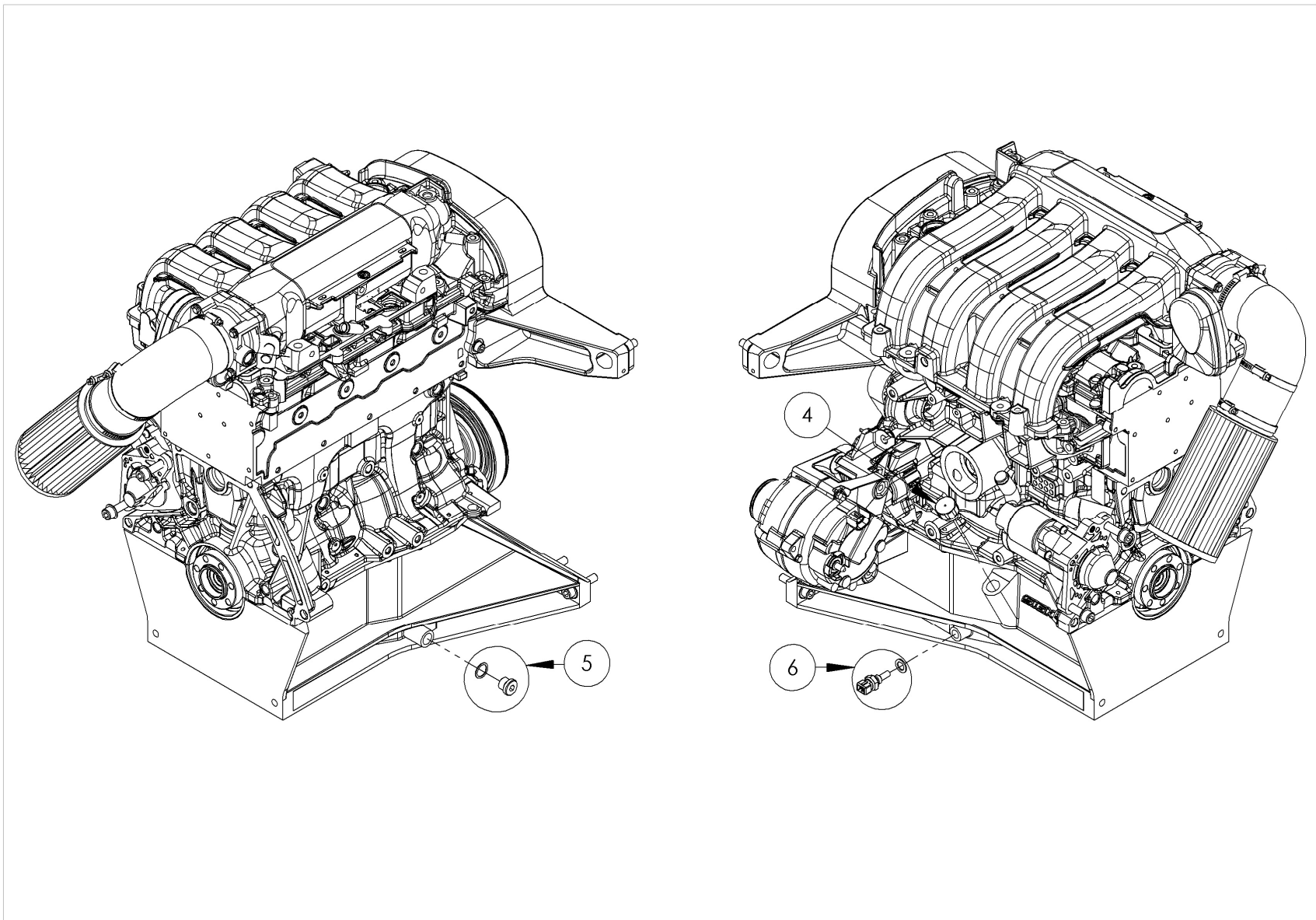
Rep.	Reference	Part Name	Qty	Comment
	G04-05D000	Radiator Duct		
1	G04-05D001V1	Right Radiator Duct	1	
2	G04-05D002V1	Left Radiator Duct	1	
104	G04-21A004V1	CHC M5 x 16	5	
204	G04-21B004V1	Flat Washer Ø5 x 12	5	



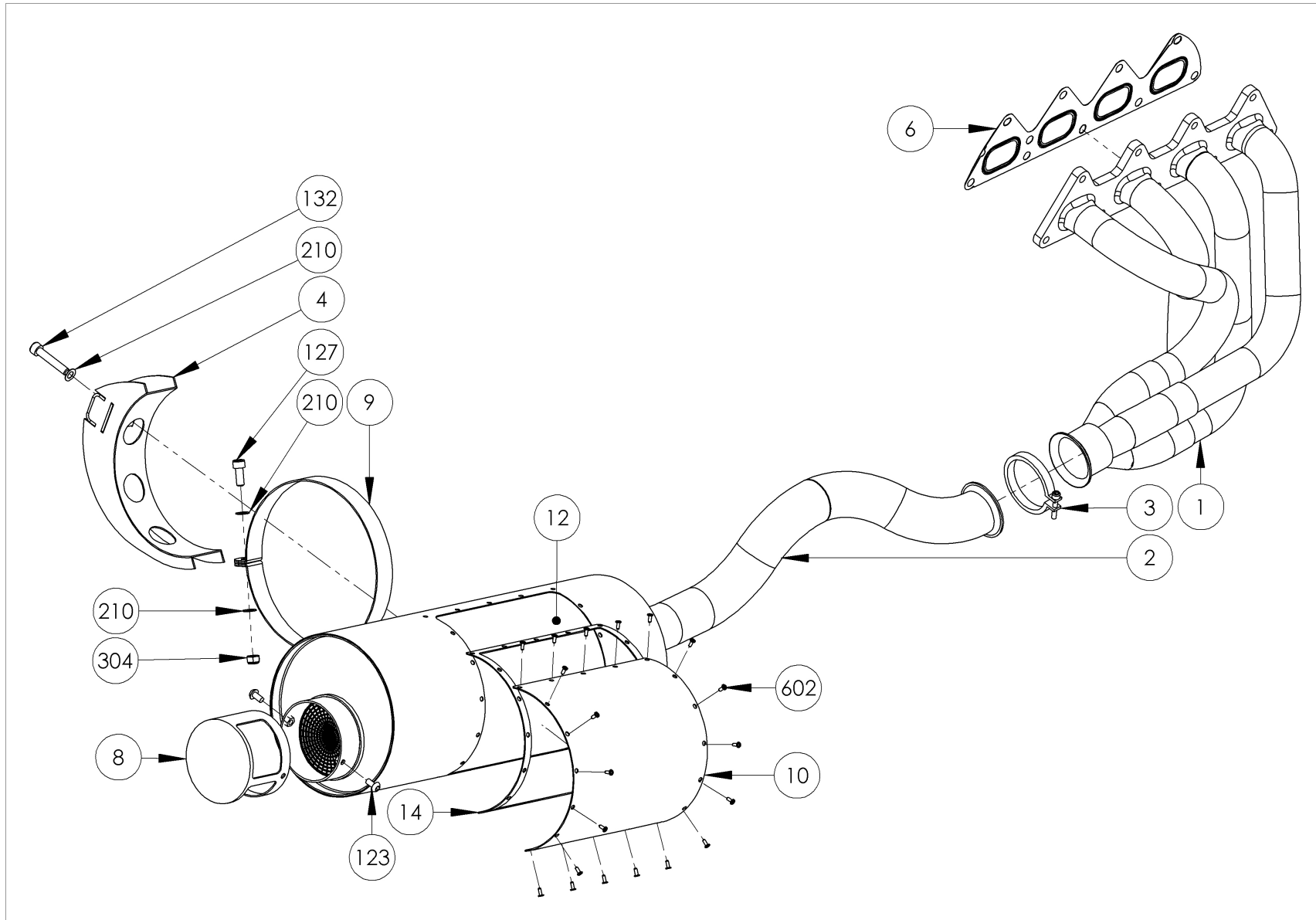
Rep.	Reference	Part Name	Qty	Comment
	G04-06000	Engine		
	G04-06A000	Engine & Accessories		
2	G04-06A002V1	Engine Upper Mounting	1	
3	G04-06A003V1	Generator Support	1	
4	G04-06A004V1	Generator	1	
5	G04-06A005V1	Generator Belt	1	
6	G04-06A006V1	Starter	1	
7	G04-06A007V1	Plug Ø11 mm	1	
8	G04-06A008V1	Starter Centering pin	1	
9	G04-06A009V1	Air Filter Green	1	
10	G04-06A010V1	Serflex Ø70 -90 mm	1	
11	G04-06A011V1	Air Filter Bush	1	
12	G04-06A012V1	Elbow 90° Ø70 mm	1	
13	G04-06A013V1	Serflex Ø60 - 80 mm	2	
14	G04-06A014V1	Throttle Body	1	
15	G04-06A015V1	Camshaft Plate	1	
16	G04-05B010V1	Spark Plug	4	
17	G04-03A014V1	Cap Ø8 mm	2	
21	G04-06A021V1	Spare Engine Assy	-	
22	G04-06A022V1	Belt Tensioning Roller	1	
23	G04-06A023V1	Complete Spare Engine Assy	-	
30	G04-06A030V1	Injector	4	
128	G04-21A028V1	CHC M8 x 25	1	
147	G04-21A047V1	CHC M10 x 35	2	
149	G04-21A049V1	CHC M10 x 45	4	
150	G04-21A050V1	CHC M10 x 50	2	
154	G04-21A054V1	CHC M10 x 90	3	
211	G04-21B011V1	Flat Washer Ø8 x 16	1	
214	G04-21B014V1	Onduflex Ø10	11	



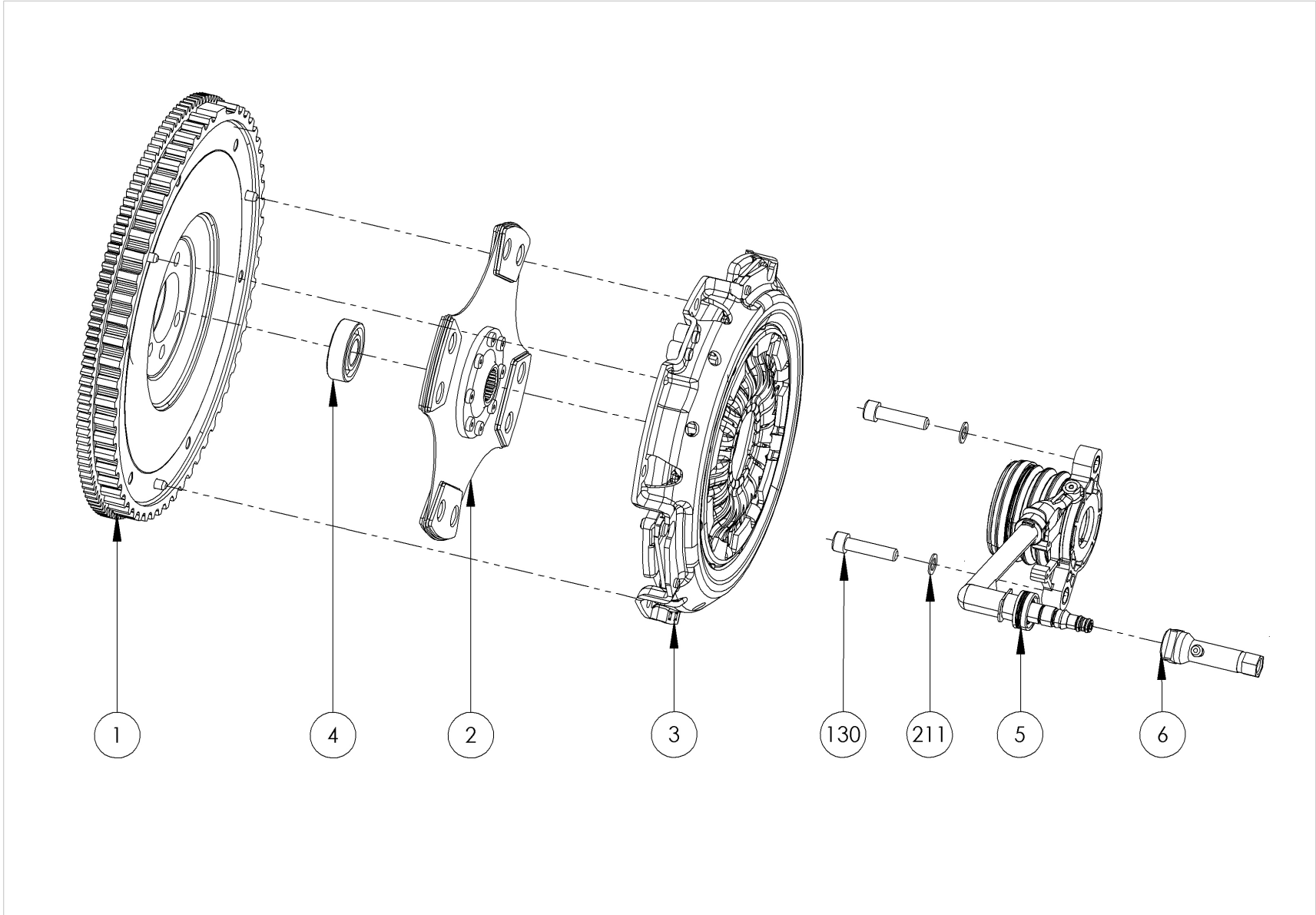
Rep.	Reference	Part Name	Qty	Comment
	G04-06000	Engine		
	G04-06A000	Engine & Accessories		
25	G04-06A025V1	Air Pressure Sensor	1	
26	G04-06A026V1	Camshaft Phase Shifter Solenoid	1	
27	G04-06A027V1	Camshaft Sensor	1	
28	G04-06A028V1	Knock Sensor	1	
29	G04-06A029V1	Air Temperature Sensor	1	



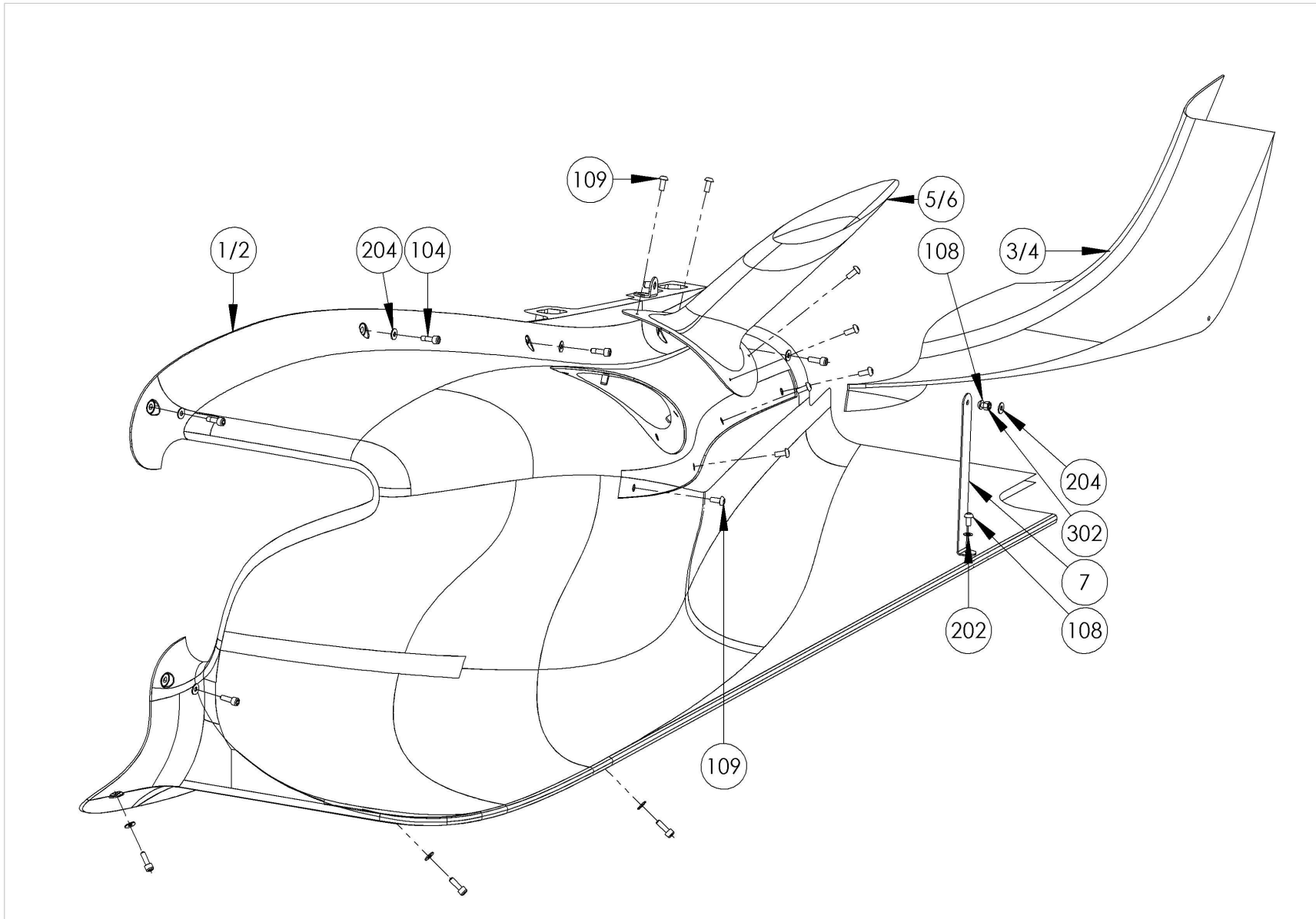
Rep.	Reference	Part Name	Qty	Comment
	G04-06B000	Sump - Engine		
2	G04-06B002V1	Sump Gasket	1	
4	G04-06B004V1	Oil Gauge	1	
5	G04-06B005V1	Oil Plug and Washer M16 x 150	1	
6	G04-06B006V1	Oil Temperature Sensor M16 x 150 (incl. Washer)	1	



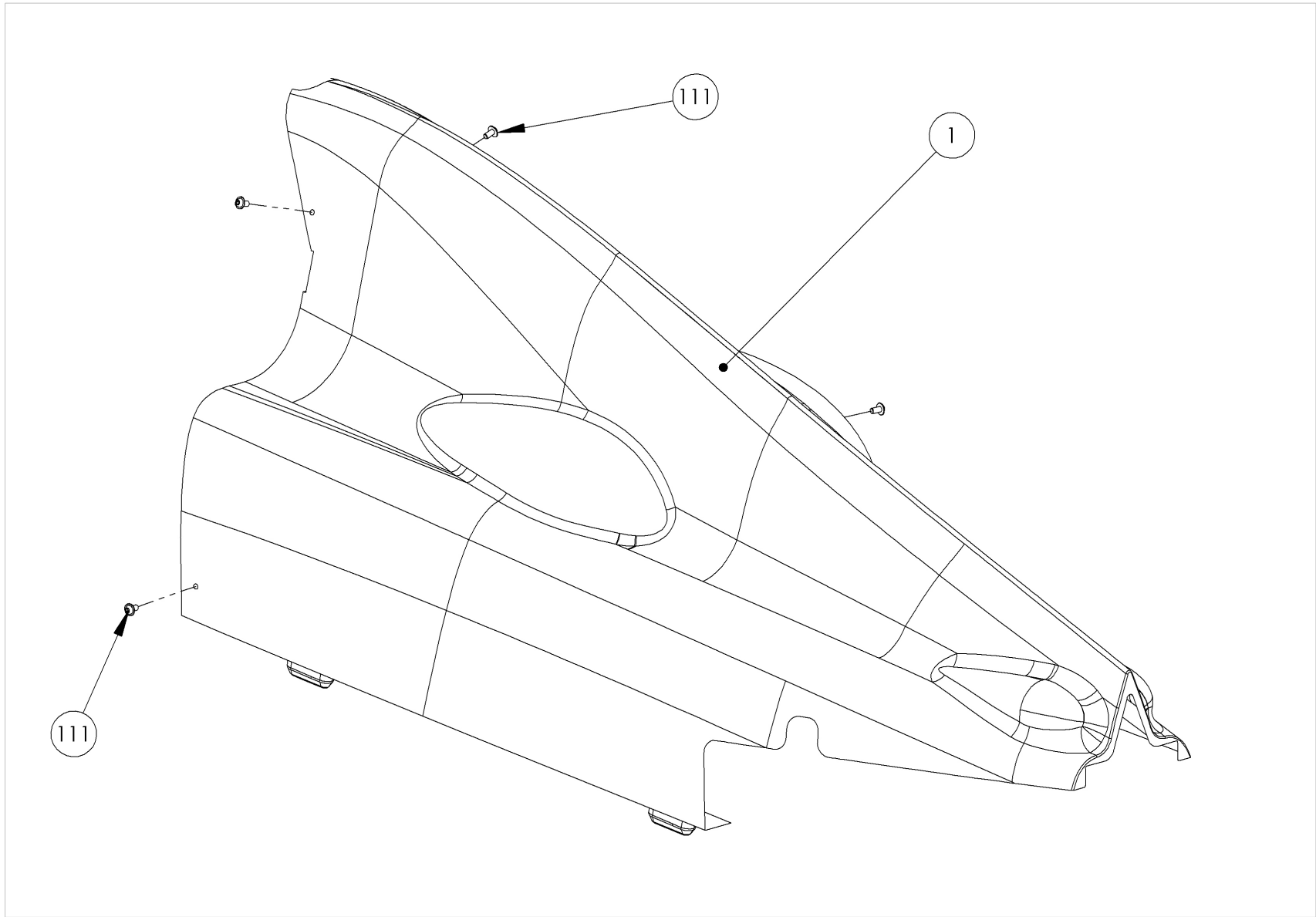
Rep.	Reference	Part Name	Qty	Comment
	G04-06C000	Exhaust 2014		
1	G04-06C001V1	Exhaust Manifold	1	
2	G04-06C002V2	Exhaust Muffler and Pipe V2014	1	
3	G04-06C003V1	Exhaust Pipe Clamp	1	
4	G04-06C004V2	Muffler Support V2014	1	
6	G04-06C006V1	Exhaust Gasket	1	
8	G04-06C008V1	Catalyser Collar	1	Only used in Sweden
9	G04-06C009V1	Muffler Strap	1	
10	G04-06C010V1	Locking Plate	1	
12	G04-06C012V1	Stone Wool Kit	1	Mesh and lock Wire included
14	G04-06C014V1	Locking Plate Counter Plate	1	
123	G04-21A023V1	BHC M6 x 12	2	Only used in Sweden
127	G04-21A027V1	CHC M8 x 20	1	
132	G04-21A032V1	CHC M8 x 45	1	
210	G04-21B010V1	Onduflex Ø8	3	
304	G04-21C004V1	Nylstop M8	1	
602	G04-21F002V1	Stainless Steel Rivet	20	



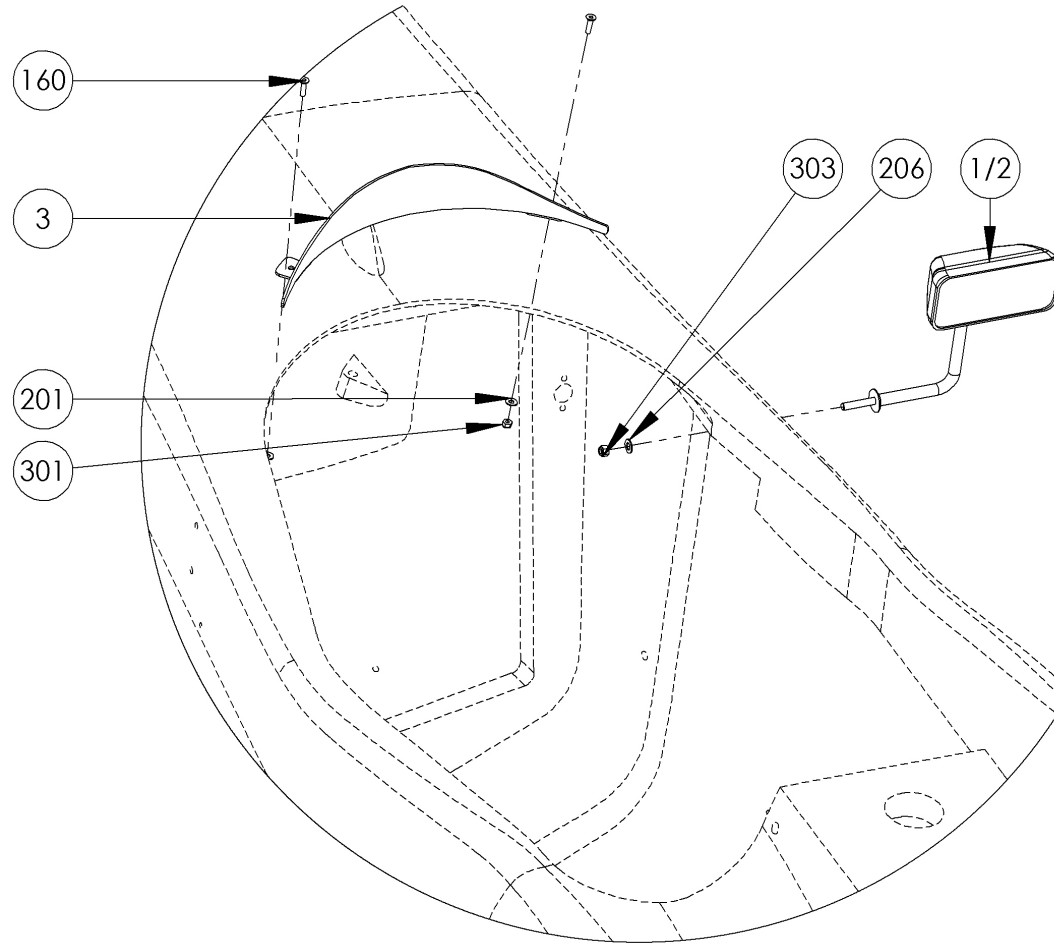
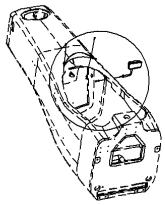
Rep.	Reference	Part Name	Qty	Comment
	G04-06D000	Clutch		
1	G04-06D001V1	Fly Wheel	1	
2	G04-06D002V1	Clutch Disc	1	
3	G04-06D003V1	Clutch	1	
4	G04-06D004V1	Crankshaft Bearing	1	
5	G04-06D005V1	Clutch Release Bearing	1	
6	G04-06D006V1	Clutch Bleeder	1	
130	G04-21A030V1	CHC M8 x 35	2	Loctite 243
211	G04-21B011V1	Flat Washer Ø8 x 16	2	



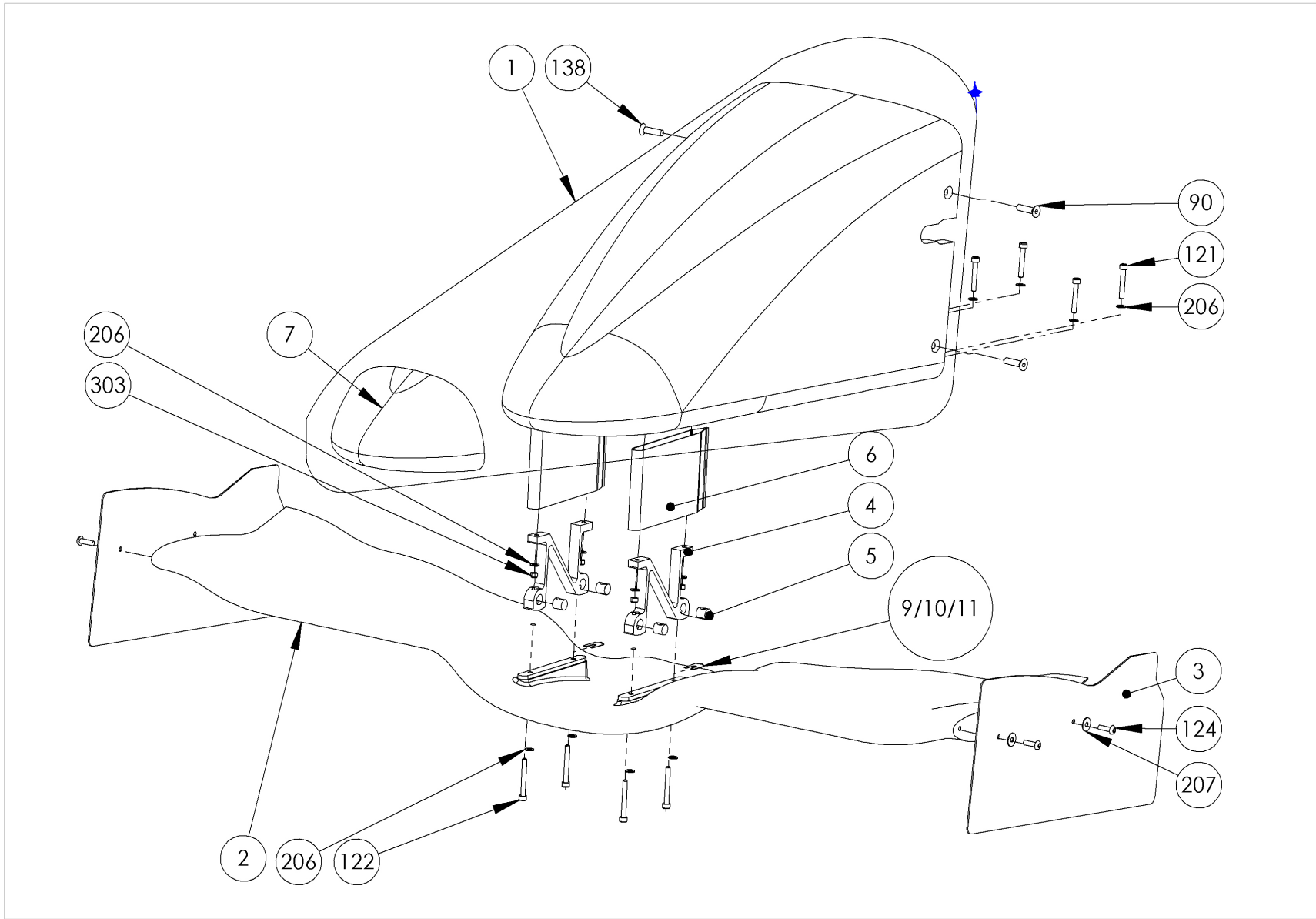
Rep.	Reference	Part Name	Qty	Comment
	G04-07000	Bodywork		
	G04-07A0000	Sidepods		
1	G04-07A001V1	Right Sidepod	1	
2	G04-07A002V1	Left Sidepod	1	
3	G04-07A003V1	Right Tire Ramp	1	
4	G04-07A004V1	Left Tire Ramp	1	
5	G04-07A005V1	Right Chimney	1	
6	G04-07A006V1	Left Chimney	1	
7	G04-07A007V1	Tire Ramp Support	2	
104	G04-21A004V1	CHC M5 x 16	8	
108	G04-21A008V1	BHC M5 x 10	2	
109	G04-21A009V1	BHC M5 x 12	8	
202	G04-21B002V1	Onduflex Ø5	1	
204	G04-21B004V1	Flat Washer Ø5 x 12	9	
302	G04-21C002V1	Nylstop M5	1	



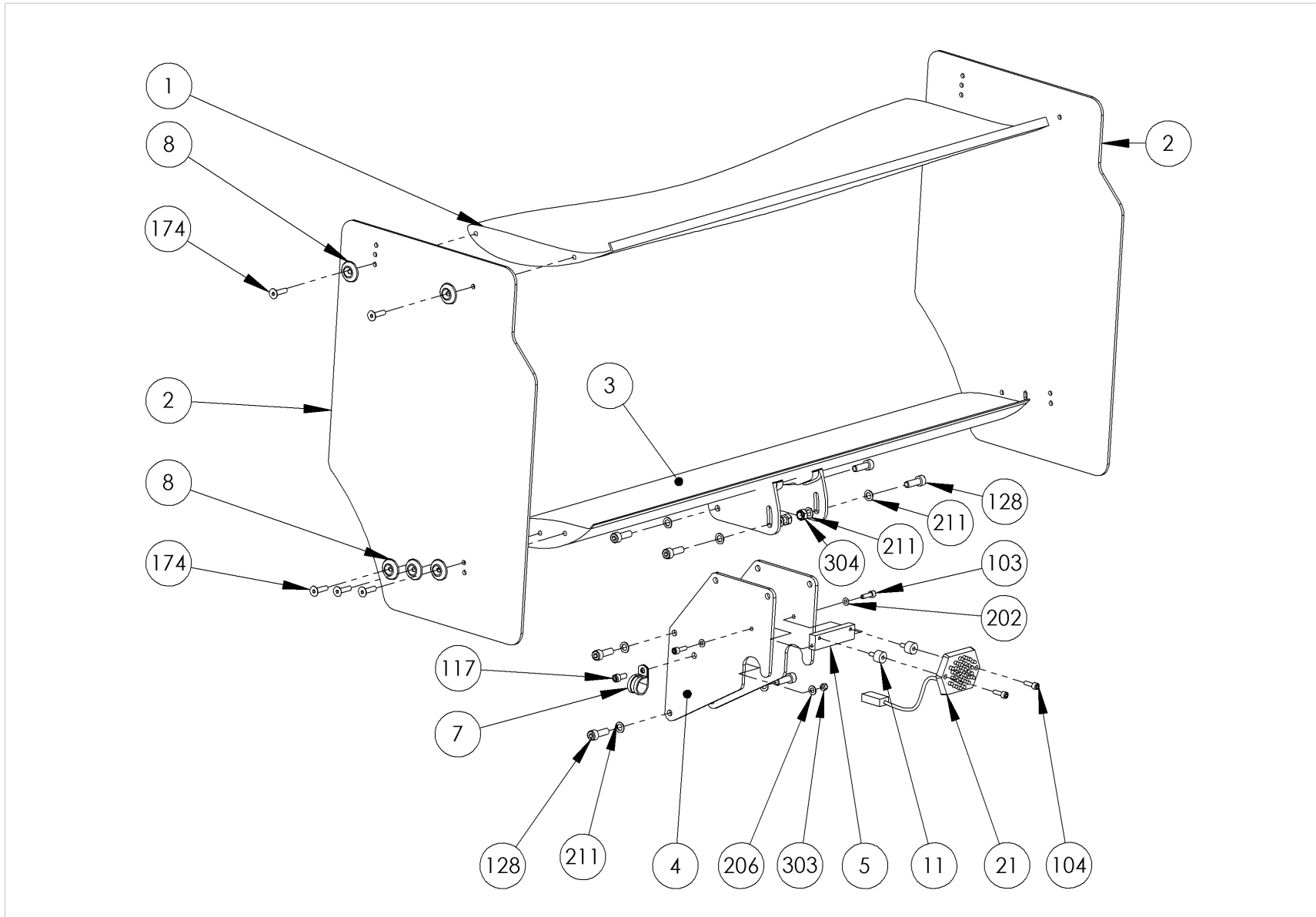
Rep.	Reference	Part Name	Qty	Comment
	G04-07B000	Engine Cover		
1	G04-07B001V1	Engine Cover	1	
111	G04-21A011V1	BHC M6 x 12 with collar	4	



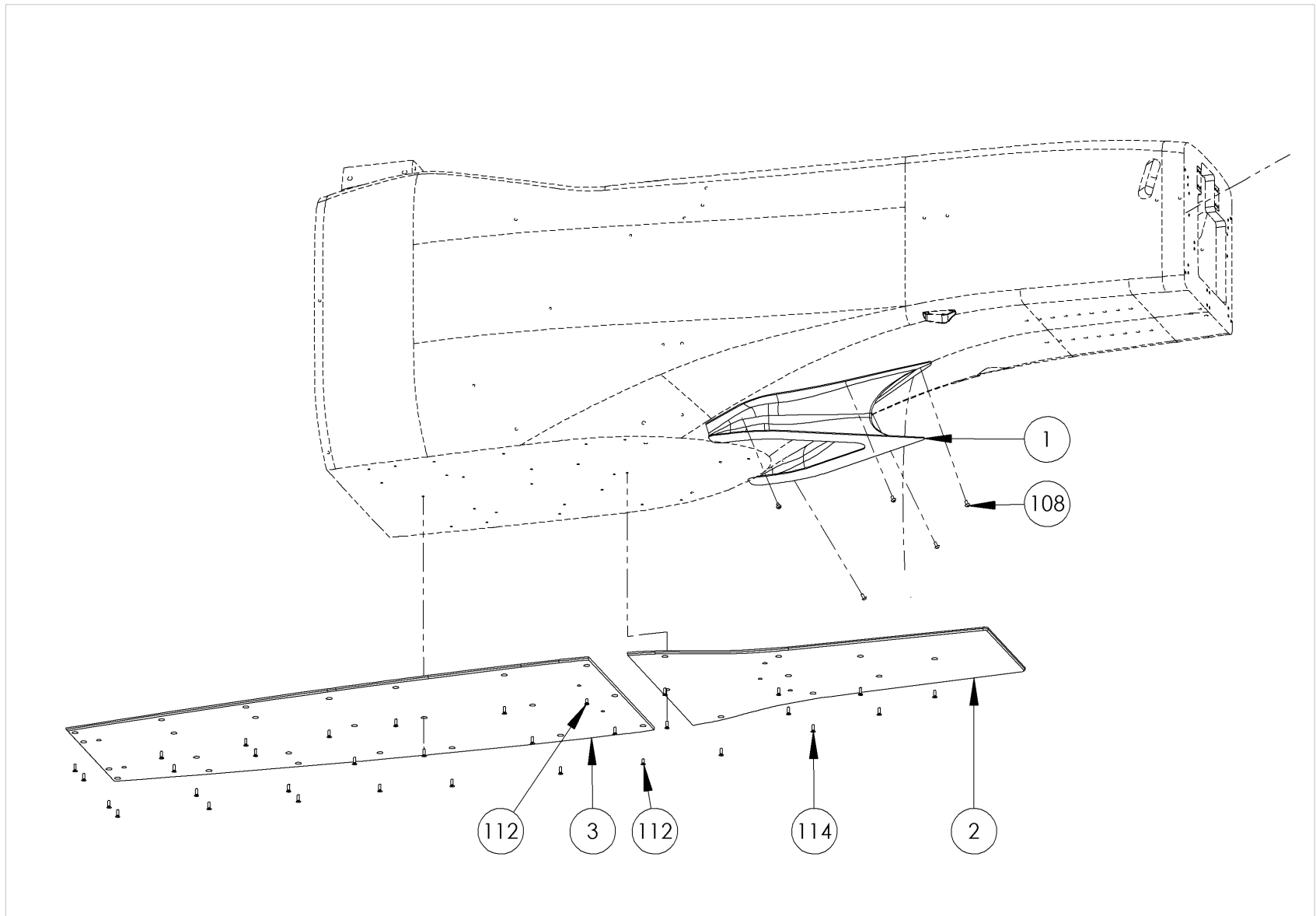
Rep.	Reference	Part Name	Qty	Comment
	G04-07C000	Mirrors & Windshield		
1	G04-07C001V1	Left Mirror	1	
2	G04-07C002V1	Right Mirror	1	
3	G04-07C003V2	Windscreen	1	
160	G04-21A060V1	FHC M4 x 16	2	
201	G04-21B001V1	Flat Washer Ø4 x 10	2	
206	G04-21B006V1	Flat Washer Ø6 x 12	2	
301	G04-21C001V1	Nylstop M4	2	
303	G04-21C003V1	Nylstop M6	2	



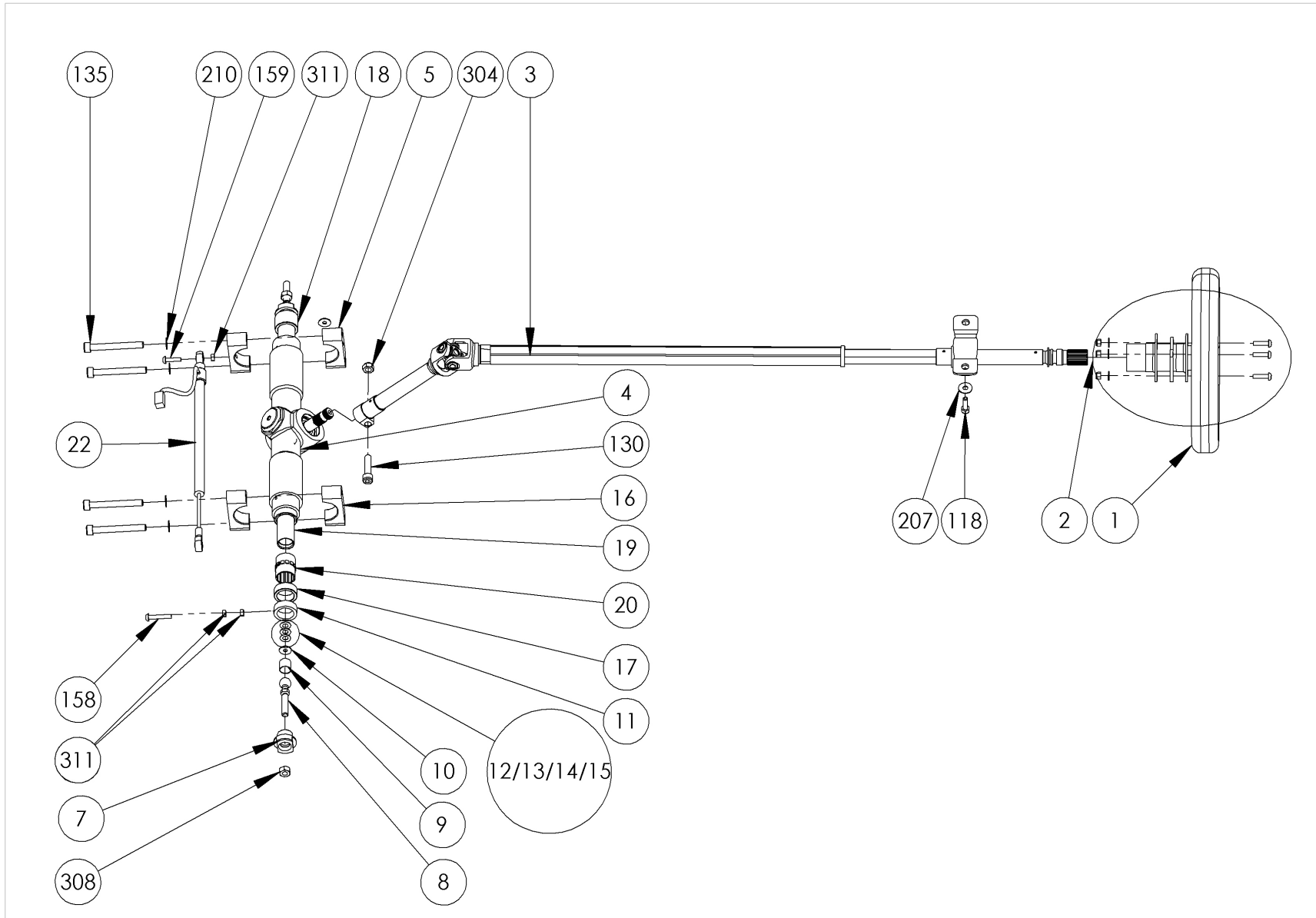
Rep.	Reference	Part Name	Qty	Comment
	G04-08000	<u>Nosebox & Front Wing</u>		
1	G04-08A001V1	Nosebox Assy	1	
2	G04-08A002V1	Front Wing	1	
3	G04-08A003V2	Front Sideplate	2	
4	G04-08A004V3	Front Wing Pillar	2	
5	G04-08A005V1	Front Wing Pillar Nut	4	
6	G04-08A006V2	Front Wing Pillar Cover	2	
7	G04-08A007V1	Nosebox Cap	1	
9	G04-08A009V1	Front Wing Shim 0.5 mm	-	
10	G04-08A010V1	Front Wing Shim 1 mm	-	
11	G04-08A011V1	Front Wing Shim 2 mm	-	
121	G04-21A021V1	CHC M6 x 40	4	
122	G04-21A022V1	CHC M6 x 50	4	
124	G04-21A024V1	BHC M6 x 20	4	
138	G04-21A038V1	FHC M8 x 30	4	
206	G04-21B006V1	Flat Washer Ø6 x 12	12	
207	G04-21B007V1	Flat Washer Ø6 x 18	4	
303	G04-21C003V1	Nylstop M6	4	



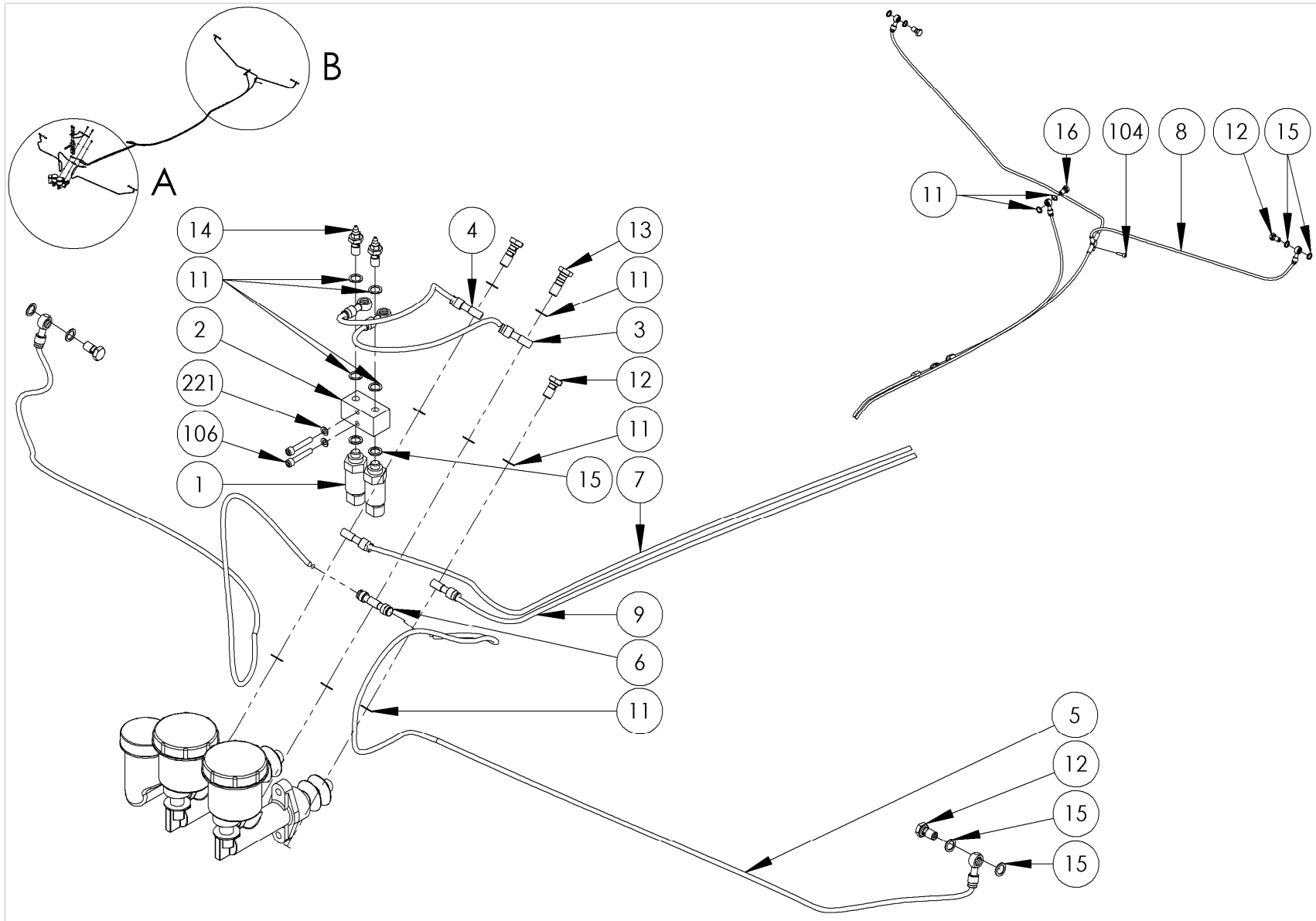
Rep.	Reference	Part Name	Qty	Comment
	G04-09000	Rear Wing Assy		
1	G04-09A001V1	Upper Rear Wing	1	
2	G04-09A002V1	Rear Sideplate	2	
3	G04-09A003V1	Lower Rear Wing	1	
4	G04-09A004V1	Rear Wing Pillar	2	
5	G04-09A005V1	Rear Light Support	1	
7	G04-09A007V1	Pipe Clamps Ø20 mm	1	Support Catch Tank Vent Ø12mm
8	G04-09A008V1	Rear End Plate Washer	10	
11	G04-03A011V1	Silent Bloc M5 x 15	2	
21	G04-18A021V1	Rain Light	1	
103	G04-21A003V1	CHC M5 x 18	2	
104	G04-21A004V1	CHC M5 x 16	2	
117	G04-21A017V1	CHC M6 x 16	1	
128	G04-21A028V1	CHC M8 x 25	8	
174	G04-21A074V1	FHC M6 x 25	10	
202	G04-21B002V1	Onduflex Ø5	2	
206	G04-21B006V1	Flat Washer Ø6 x 12	1	
211	G04-21B011V1	Flat Washer Ø8 x 16	12	
303	G04-21C003V1	Nylstop M6	1	
304	G04-21C004V1	Nylstop M8	4	



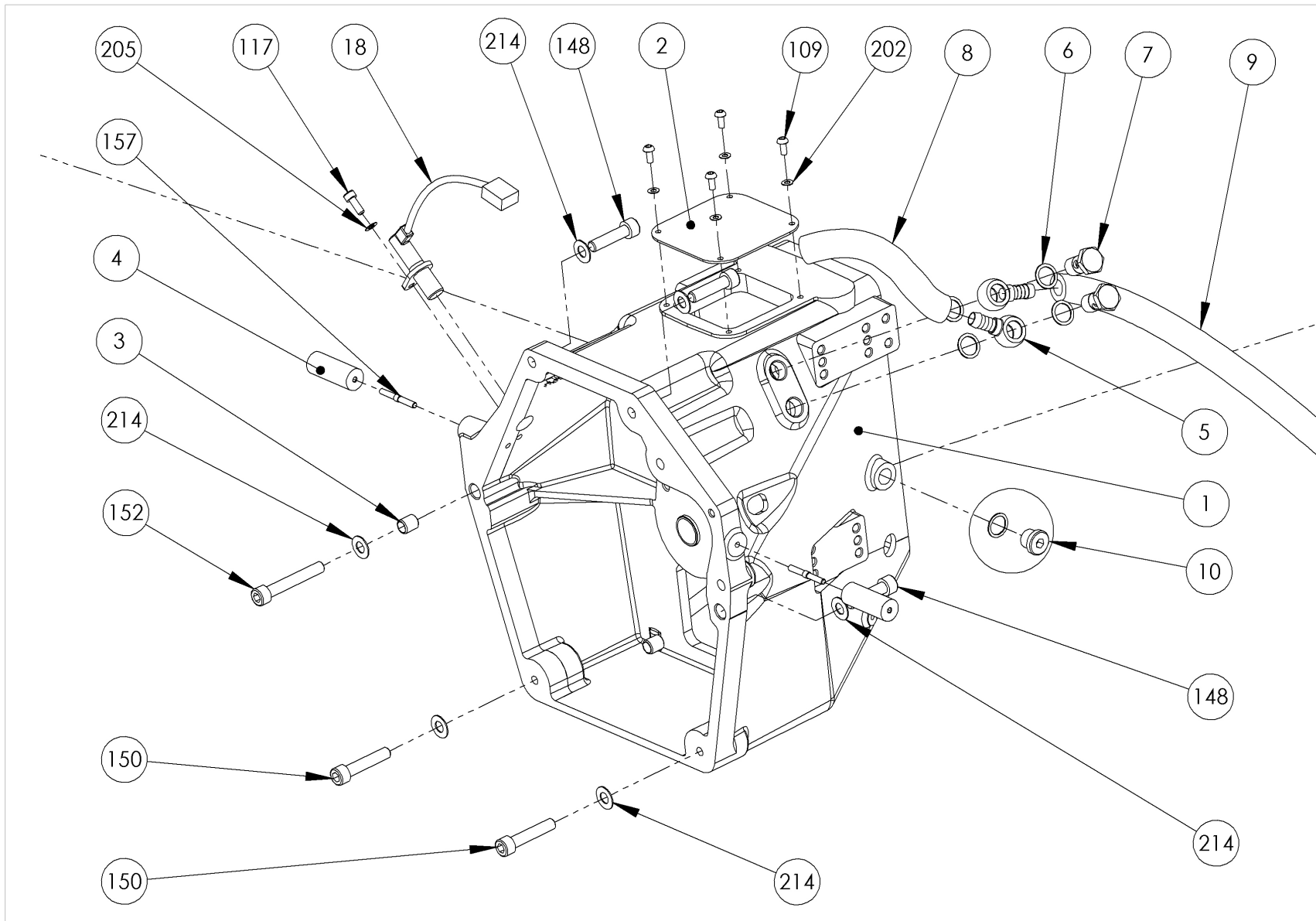
Rep.	Reference	Part Name	Qty	Comment
	G04-10000	Floor		
1	G04-10A001V1	Chassis Bib	1	
2	G04-10A002V1	Front Floor	1	
3	G04-10A003V1	Rear Floor	1	
108	G04-21A008V1	BHC M5 x 10	5	
112	G04-21A012V1	FHC M5 x 12	2	
114	G04-21A014V1	FHC M5 x 16	31	



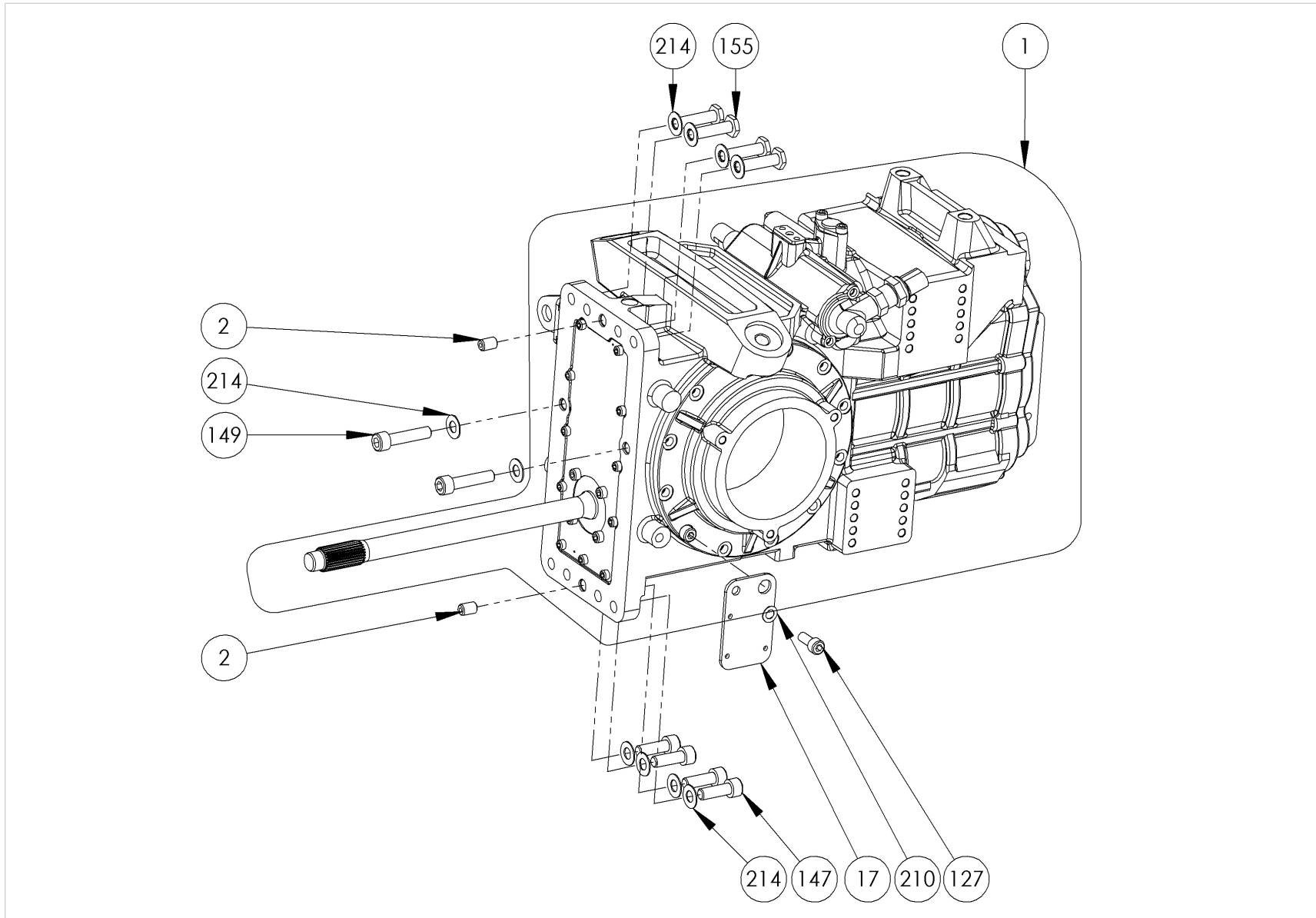
Rep.	Reference	Part Name	Qty	Comment
	G04-11000	Steering System		
1	G04-11A001V1	Standard Steering Wheel	1	
2	G04-11A002V2	Quick Release	1	
3	G04-11A003V2	Steering Column	1	
4	G04-11A004V1	Steering Rack	1	
5	G04-11A005V1	Right Steering Rack Clamp (with thread hole)	1	
6	G04-11A006V1	Column Bearing Bracket	1	
7	G04-11A007V1	Ball End Housing	2	
8	G04-11A008V1	Ball End	2	
9	G04-11A009V1	Ball End Bush	2	
10	G04-11A010V1	Washer Ø5 x 16 x1	2	
11	G04-11A011V1	Sensor Bush	1	
12	G04-11A012V1	Belleville Spring Ø15 x 0.4	3	
13	G04-11A013V1	Belleville Spring Ø15 x 0.5	-	
14	G04-11A014V1	Belleville Spring Ø15 x 0.6	-	
15	G04-11A015V1	Belleville Spring Ø15 x 0.7	-	
16	G04-11A016V1	Left Steering Rack Clamp	1	
17	G04-11A017V1	Left Steering Spacer	1	
18	G04-11A018V1	Right Steering Spacer	1	
19	G04-11A019V1	Steering Rack Bar	1	Included in Steering Rack
20	G04-11A020V1	Linear Bush	2	Included in Steering Rack
22	G04-18A022V2	Steering Rack Angle Sensor with DTM connector	1	
118	G04-21A018V1	CHC M6 x 20	2	
130	G04-21A030V1	CHC M8 x 35	1	
135	G04-21A035V1	CHC M8 x 70	4	
158	G04-21A058V1	BHC M5 x 30	1	
159	G04-21A059V1	BHC M5 x 20	1	
207	G04-21B007V1	Flat Washer Ø6 x 18	2	
210	G04-21B010V1	Onduflex Ø8	4	
304	G04-21C004V1	Nylstop M8	1	
308	G04-21C008V1	Nut H M8 x 100	2	
311	G04-21C011V1	Nut H M5	3	



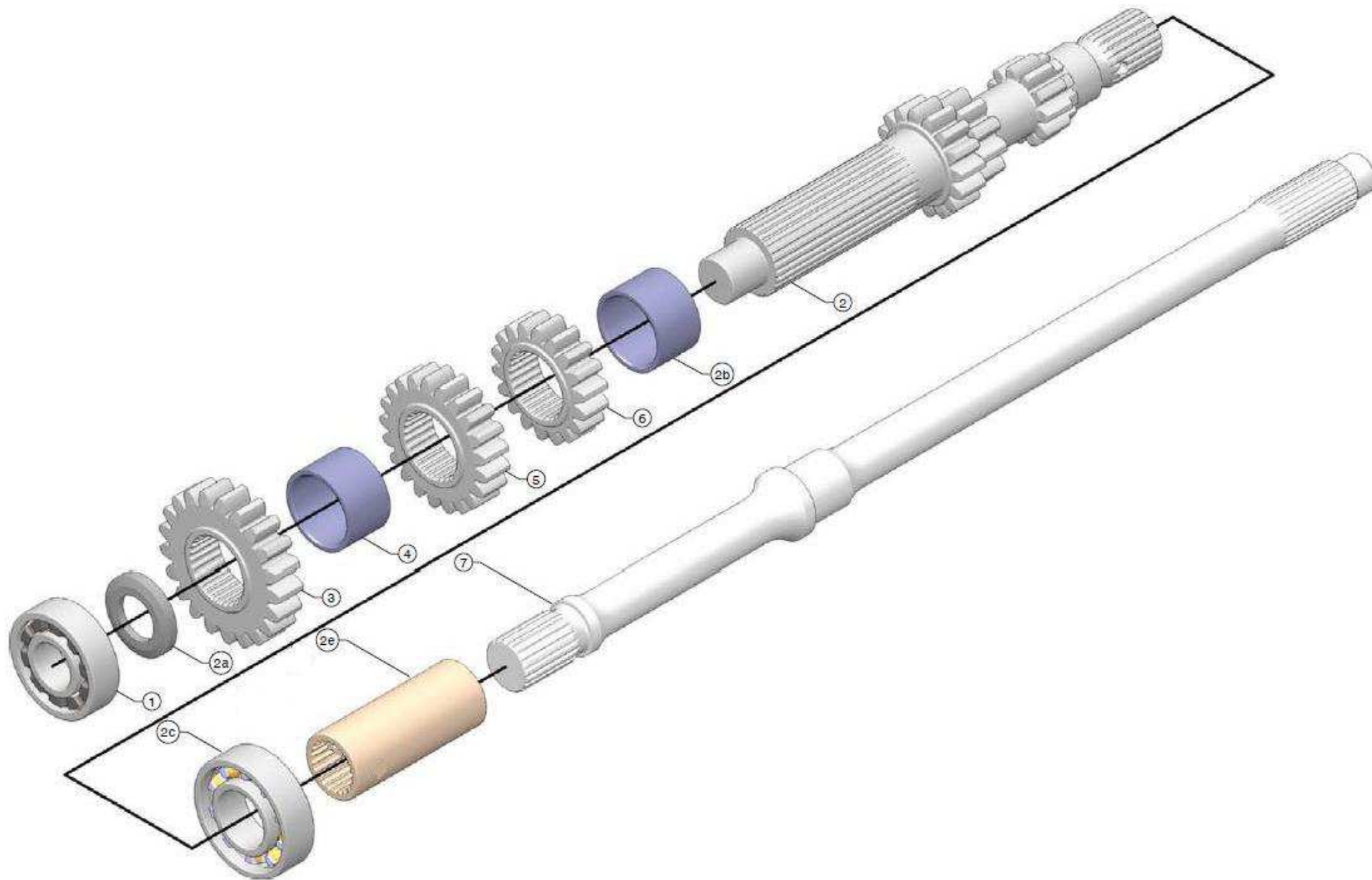
Rep.	Reference	Part Name	Qty	Comment
	G04-12000	Hydraulic		
	G04-12A000	Brake and Clutch Circuit		
1	G04-12A001V1	Brake Pressure Sensor	2	
2	G04-12A002V2	Brake Pressure Sensor Support	1	
3	G04-12A003V1	Front Brake Pressure Sensor Hose	1	
4	G04-12A004V1	Rear Brake Pressure Sensor Hose	1	
5	G04-12A005V1	Front Brake Hose (Left or Right)	2	
6	G04-12A006V1	Front Brake Hose Double Banjo	1	
7	G04-12A007V1	Rear Chassis Brake Hose	1	
8	G04-12A008V3	Rear Brake Hose	1	
9	G04-12A009V1	Clutch Chassis Hose	1	
11	G04-12A011V1	Copper Washer Ø10 x 0.8 mm	14	
12	G04-12A012V1	Simple Banjo Screw 3/8 UNF	5	
13	G04-12A013V1	Double banjo Screw 3/8 UNF	2	
14	G04-12A014V1	Banjo Screw with Bleeder 3/8 UNF	2	
15	G04-12A015V1	Copper Washer Ø10 x 1.3 mm	10	
16	G04-12A016V1	Banjo Screw M10 x 100	1	
104	G04-21A004V1	CHC M5 x 16	1	
106	G04-21A006V1	CHC M5 x 30	2	
221	G04-21B021V1	Schnor Ø5	2	



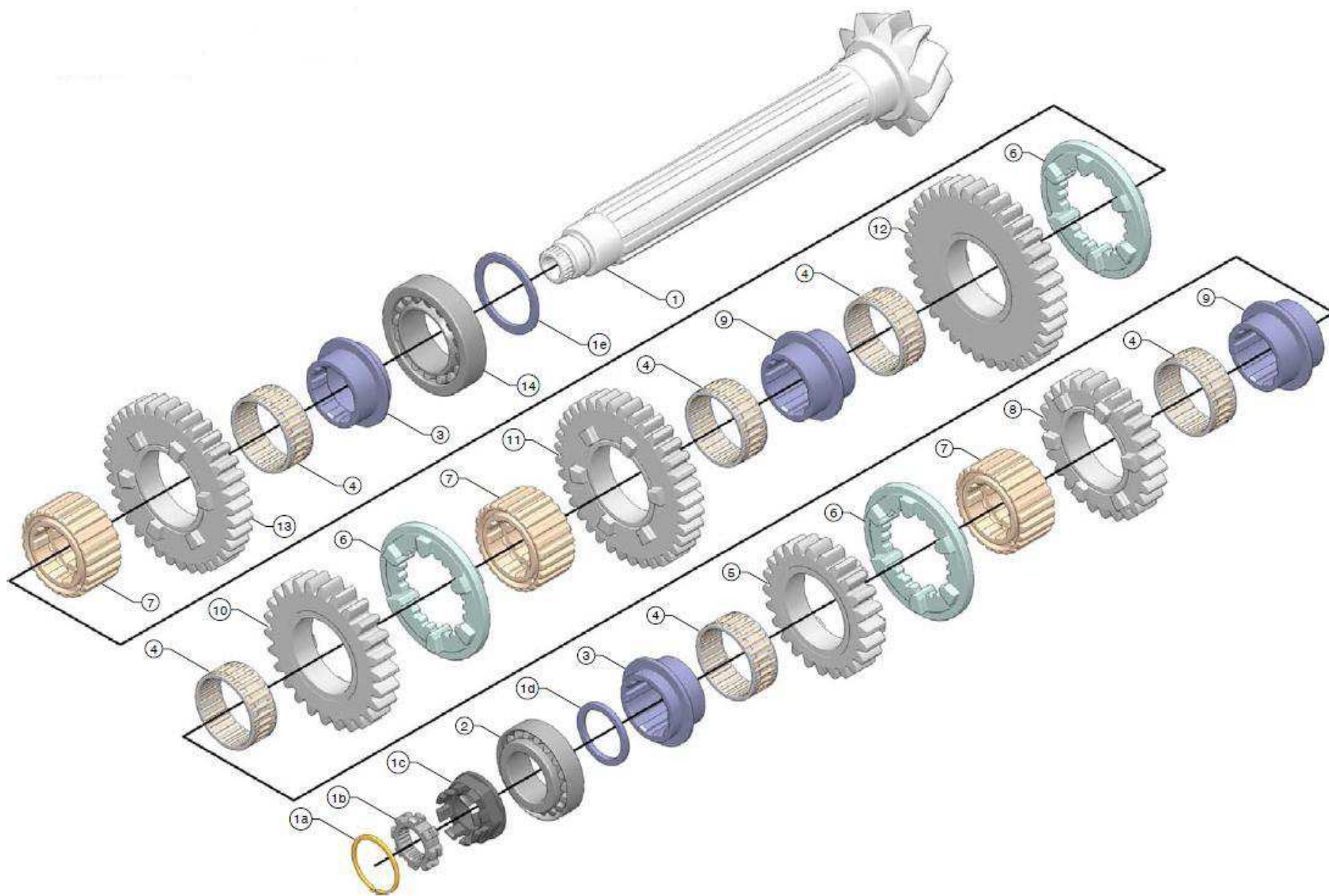
Rep.	Reference	Part Name	Qty	Comment
	G04-13000	Gearbox		
	G04-13A000	Bell Housing		
1	G04-13A001V1	Bell Housing	1	
2	G04-13A002V1	Catch Tank Hatch	1	Silicon Gasket
3	G04-13A003V1	Engine - Belle Housing Bush	2	
4	G04-13A004V1	Sidepod Support	2	
5	G04-13A005V1	Catch Tank Bajo	2	
6	G04-13A006V1	Catch Tank Banjo Washer	4	
7	G04-13A007V1	Catch Tank Banjo Screw	2	
8	G04-13A008V1	Engine Vent Ø12 x 510 mm	1	
9	G04-13A009V1	Catch Tank Vent Ø12 x 640 mm	1	
10	G04-06B005V1	Catch Tank Plug and Washer M16 x 150	1	
18	G04-18A018V1	Fly Wheel Sensor	1	
109	G04-21A009V1	BHC M5 x 12	4	
117	G04-21A017V1	CHC M6 x 16	1	
148	G04-21A048V1	CHC M10 x 40	3	
150	G04-21A050V1	CHC M10 x 50	2	
152	G04-21A052V1	CHC M10 x 65	1	
157	G04-21A057V1	STHC M5 x 30	2	Or STHC M6 x 30
202	G04-21B002V1	Onduflex Ø5	4	
205	G04-21B005V1	Onduflex Ø6	1	
214	G04-21B014V1	Onduflex Ø10	6	



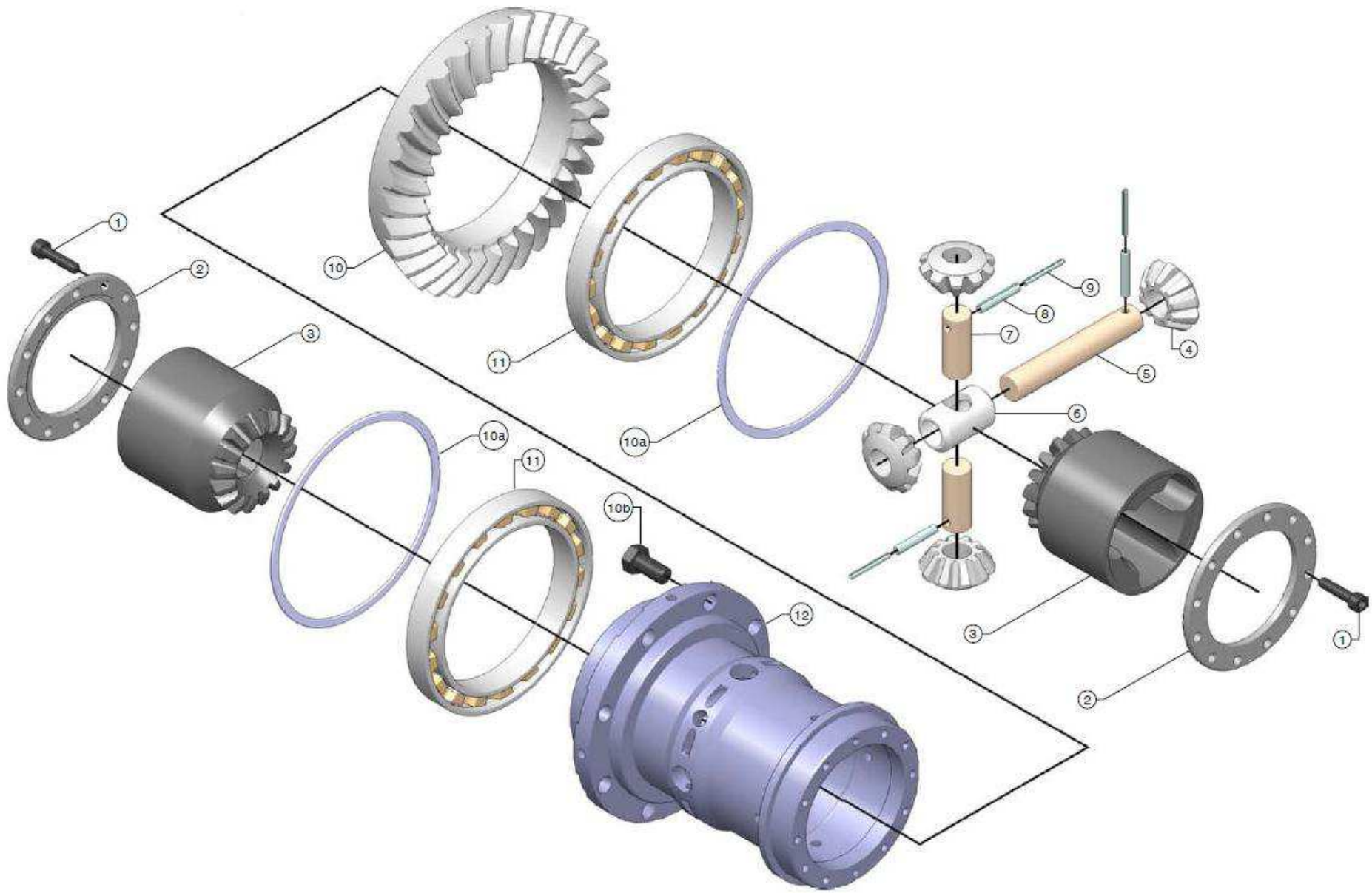
Rep.	Reference	Part Name	Qty	Comment
	G04-13B000	Gearbox		
1	G04-13B001V1	Gearbox Assy	1	(including gears, shafts, ...)
2	G04-13B002V1	Gearbox - Bell Housing Bush High (with hole Ø3)	2	
17	G04-20A017V2	Transponder Bracket	1	
127	G04-21A027V1	CHC M8 x 20	1	
147	G04-21A047V1	CHC M10 x 35	4	
149	G04-21A049V1	CHC M10 x 45	2	
155	G04-21A055V1	H M10 x 40	4	
210	G04-21B010V1	Onduflex Ø8	1	
214	G04-21B014V1	Onduflex Ø10	10	



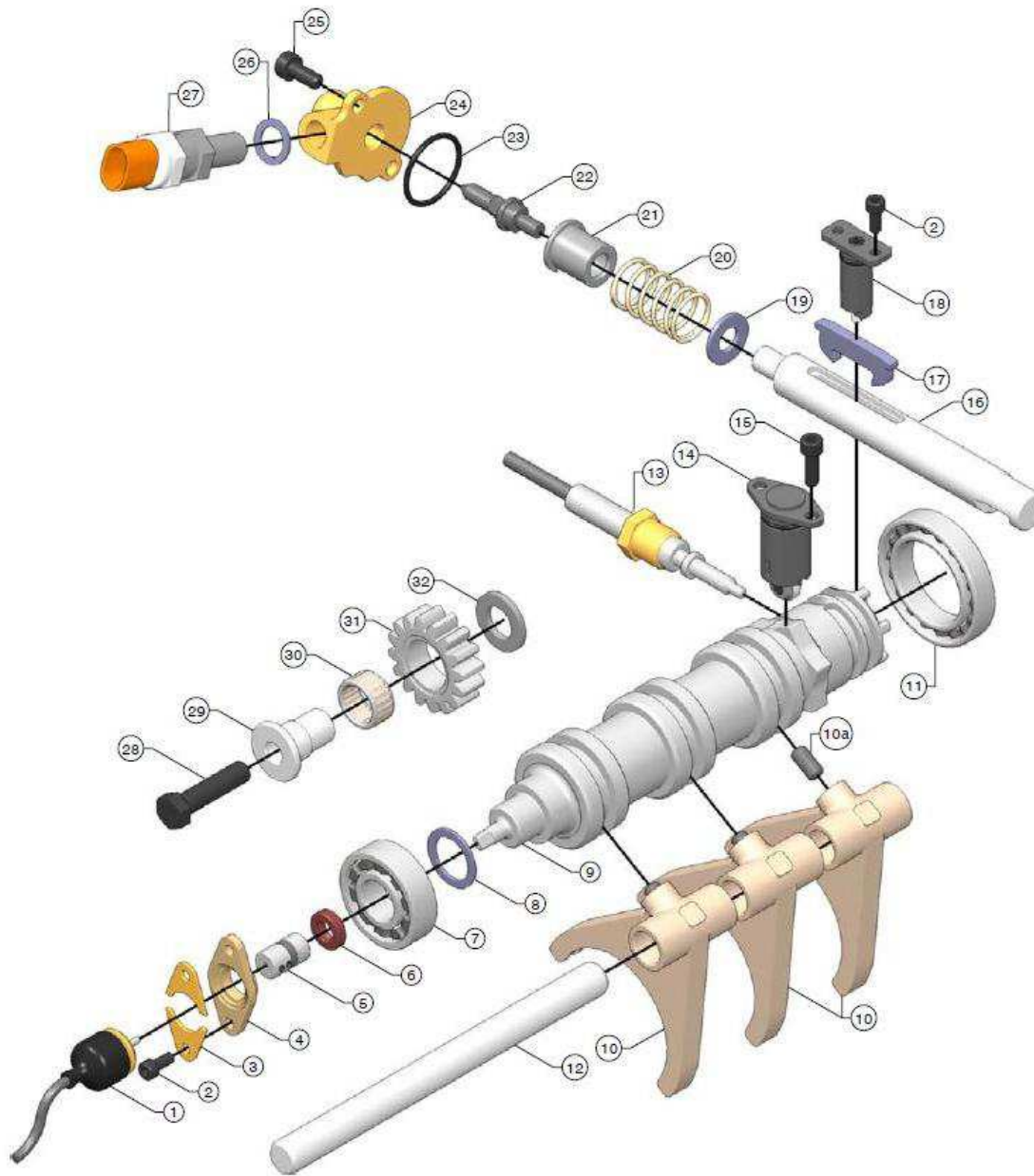
Rep.	Reference	Part Name	Qty	Comment
	G04-13C000	Input Shaft Assy		
1	0101029	6204 Bearing	1	
2	D669002036J6J1	Complete primary shaft SIGNATECH	1	
2a	F90020181	geartrain shim set	1	
2b	F9002531	Spacer 2-3	1	
2c	0101062	6205 Bearing	1	
2e	F9002568	Hub	1	
3	C66142527606J	5th gear ratio (25x27)	1	
4	F9002009	Spacer	2	
5	C66141925606J	4th gear ratio (19x25)	1	
6	C66141830606J	3rd gear ratio (18x30)	1	
7	F9002502	Input shaft	1	



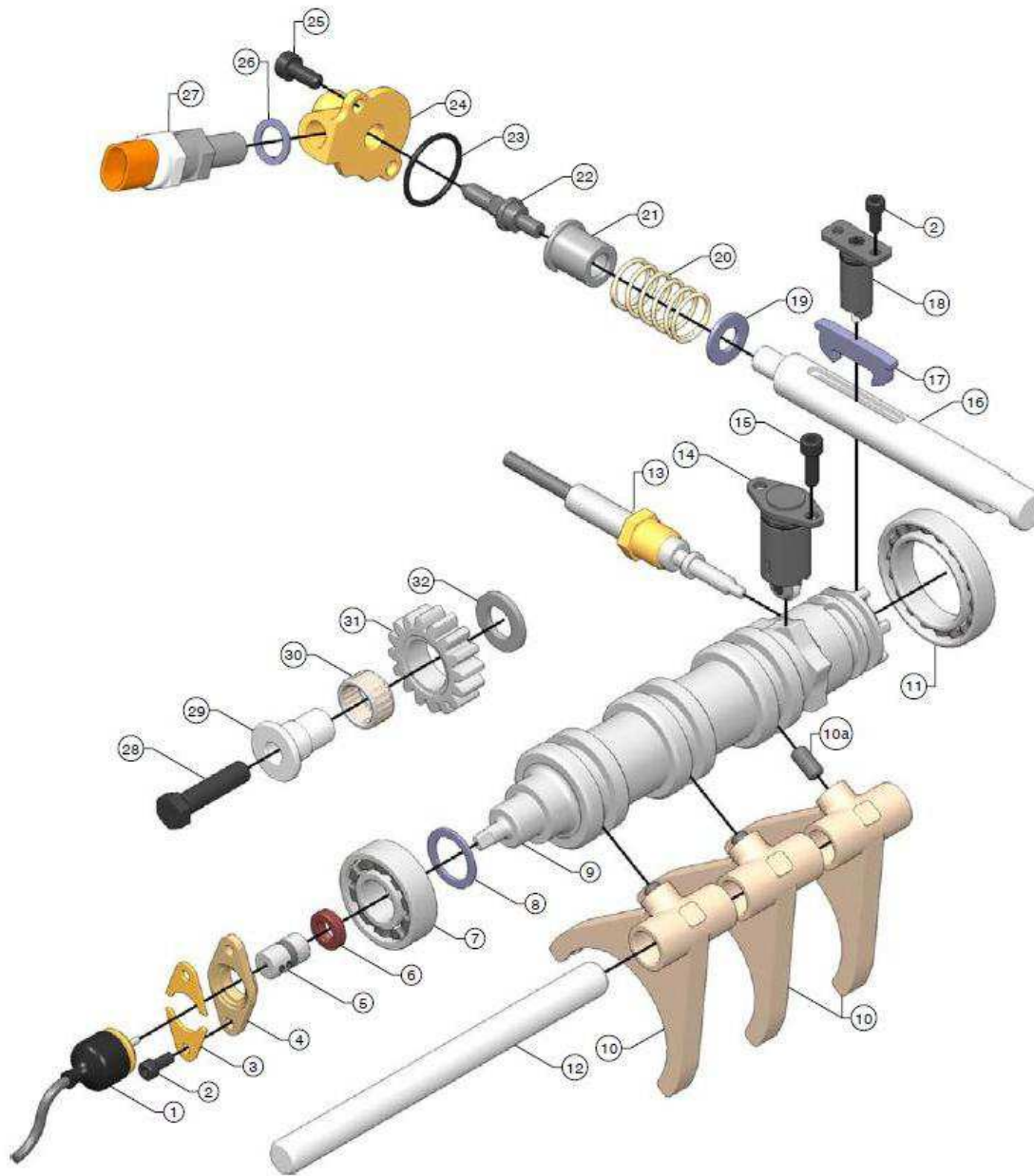
Rep.	Reference	Part Name	Qty	Comment
	G04-13D000	Output Shaft Assy		
1	CPL10319002041	Crownwheel and Pinion 10x31	1	
1a	9907004	Spring Ring SW30	1	
1b	F9005010	Output Shaft Washer	1	
1c	F9002038	Output Shaft Nut	1	
1d	F90020121	Shim pre-load	1	
1e	F90020111	Advance Shim	1	
2	0104027	Timken Bearing 32028XM	1	
3	F9002014	Shoulder Bush	2	
4	0105043	Needle Cage K38x43x17	6	
5	C66142527606J	Fifth Gear Ratio(25x27)	1	
6	F0085004	Clutch Ring	3	
7	F0085003	Clutch Ring Support	3	
8	C66141925606J	Fourth Gear Ratio(19x25)	1	
9	F0085005	Shoulder Bush	2	
10	C66141830606J	Third Gear Ratio(18x30)	1	
11	F9002530	Output Second Gear (14x31)	1	
12	F9002529	Output First Gear (11x35)	1	
13	F9002146	Output Reverse Gear	1	
14	0104028	Timken Bearing 32007X	1	



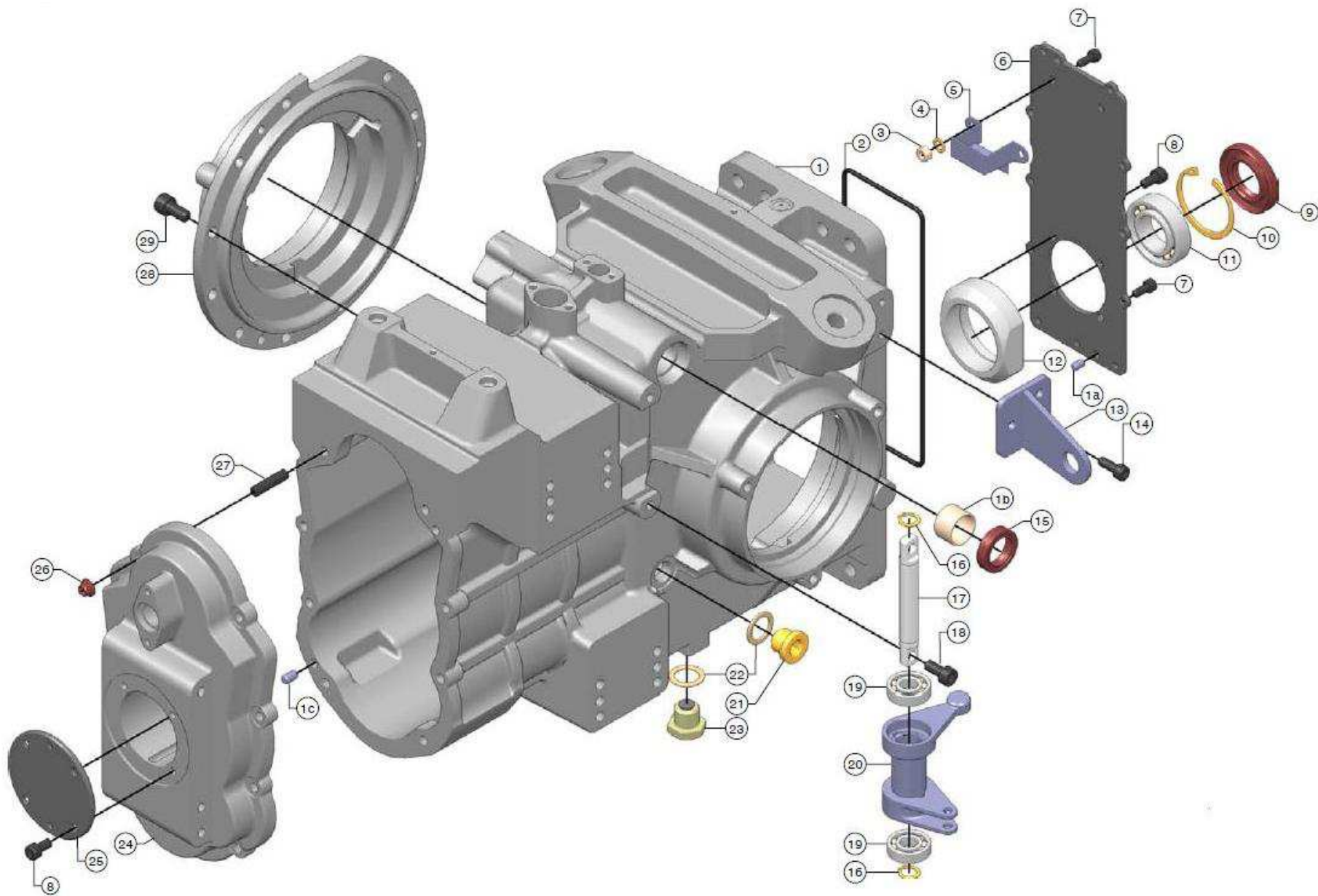
Rep.	Reference	Part Name	Qty	Comment
	G04-13E000	Differential Assy		
1	0301127	Screw CHC M6x25 cl10.9	24	
2	F9002017	Differential Case Flange	2	
3	5099065	Side Bevel Gear	2	
4	5099062	Planet Bevel Gear	4	
5	F0044008	Planet Bevel Gear Shaft	1	
6	F0044006	X-cross Member	1	
7	F0044007	Planet Bevel Gear Halfshaft	2	
8	0701011	Mecanindus Pin Ø5x30	3	
9	0701012	Mecanindus Pin Ø3x30	3	
10	CPL10319002041	Crownwheel and Pinion 10x31	1	
10a	F00850142	Adjuster Shim	2	
10b	0305381	H M10x125 lg.20 cl12.9	8	
11	0101054	Bearing AB12458S05	2	
12	F9002016	Differential Case	1	



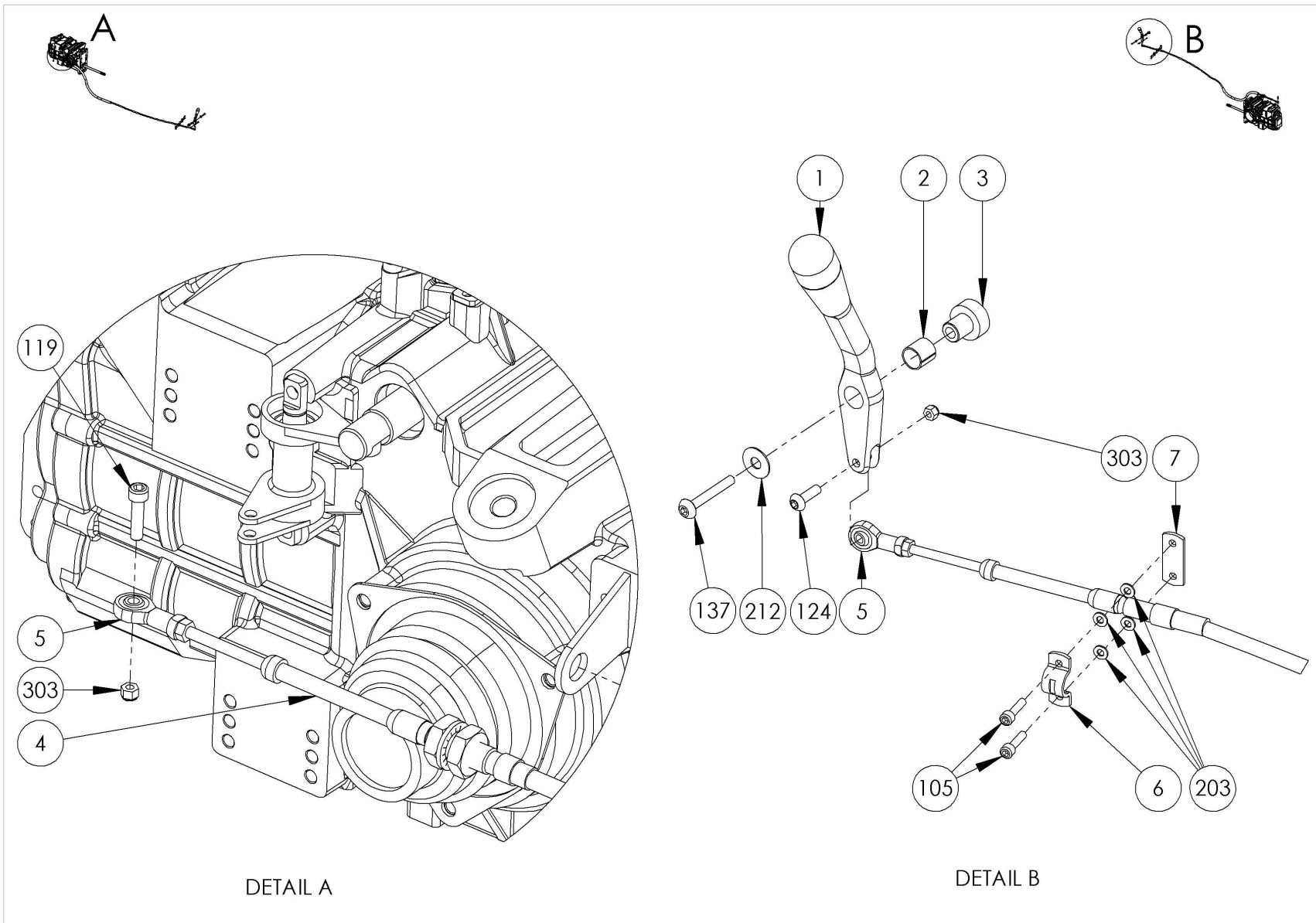
Rep.	Reference	Part Name	Qty	Comment
	G04-13F000	Shifting		
1	F0089033	Potentiometer	1	
2	0301100	CHC screw M5x12	4	
3	F0077151	Potentiometer clamp	2	
4	F0077150	Potentiometer bracket	1	
5	F00590901	Flexible joint	1	
	0302009	Hc screw M3x6	2	
6	0203017	Lip seal diam 8x18x5	1	
7	0101029	Bearing 6204	1	
8	F90020041	Shims	1	
9	F90020212	Selector Barrel	1	
10	F00851001	Complete fork	3	
10a	F0077120	Fork dog	3	
11	0101018	Bearing 61908	1	
12	F9002020	Fork axle	1	
13	F0085160	Reverse cable	1	
14	F0085161	Complet locker	1	
	0801046	Locker spring	1	
	0201033	O'ring diam2x18	1	
	0701013	Pin diam2,5x20	1	
15	0301483	CHC screw M6x18	2	
16	F0085104	Drive axle	1	
17	F0059040	Double pawl	1	
18	F00771051	Tapet	1	
	0801026	Spring	1	
	0201017	O'ring diam2,5x10	1	
19	F0059049	Plate washer	1	
20	0801027	Drive spring	1	
21	F0059022	Shoulder bush	1	
22	F0062009	Shoulder screw	1	



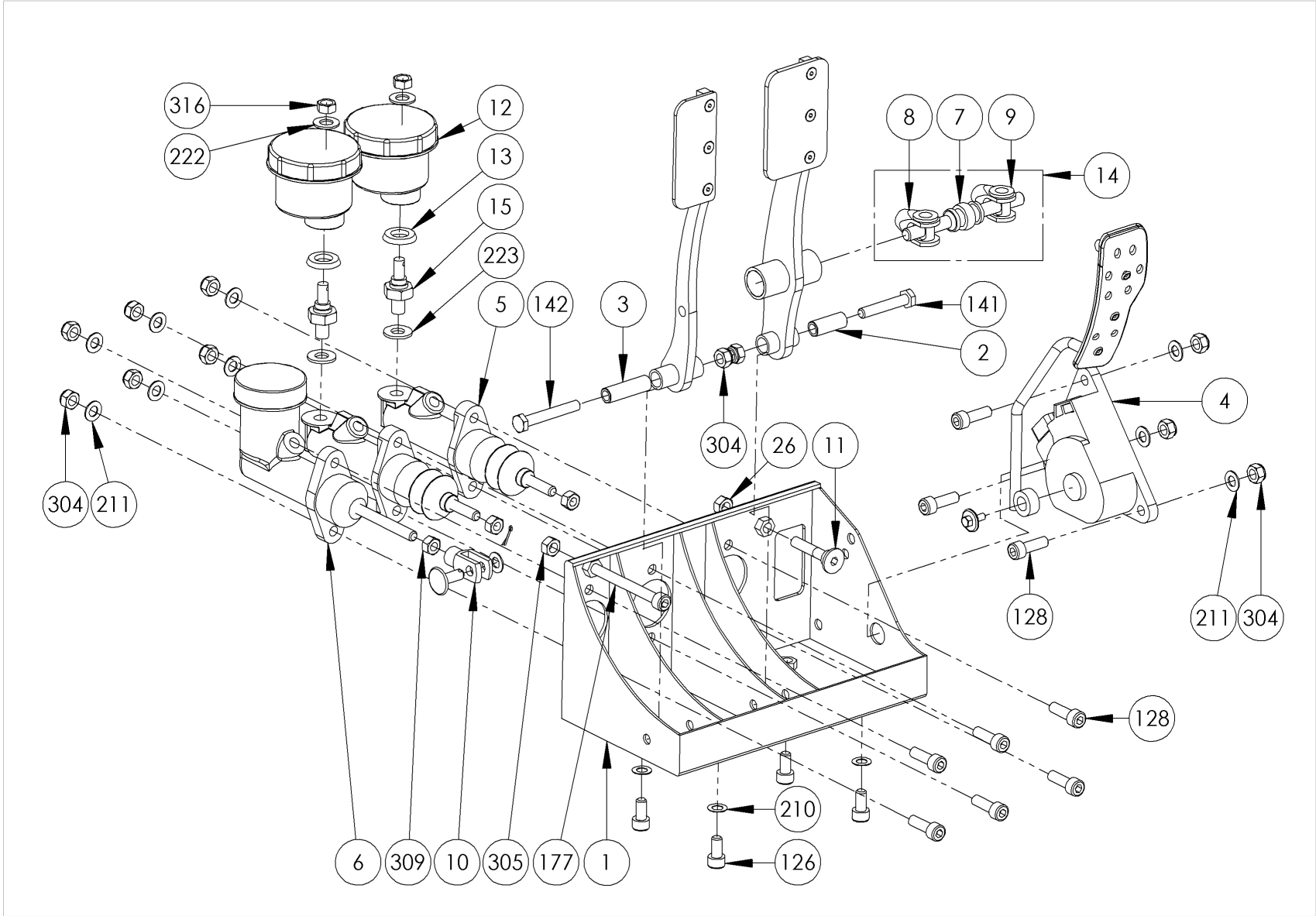
Rep.	Reference	Part Name	Qty	Comment
	G04-13F000	Shifting		
23	0201164	O'ring diam29x2	1	
24	F9002519	Switch bracket	1	
25	0301373	CHC screw M7x16	2	
26	F0062011	Switch shims	1	
27	F0077119k	Shift Switch	1	
28	0305064	H screw M10x45	1	
29	F9002005	Reverse axle	1	
30	0105055	Needle bearing K18x24x12	1	
31	F9002007	Intermediate reverse	1	
32	F9002006	Intermediate reverse washer	1	



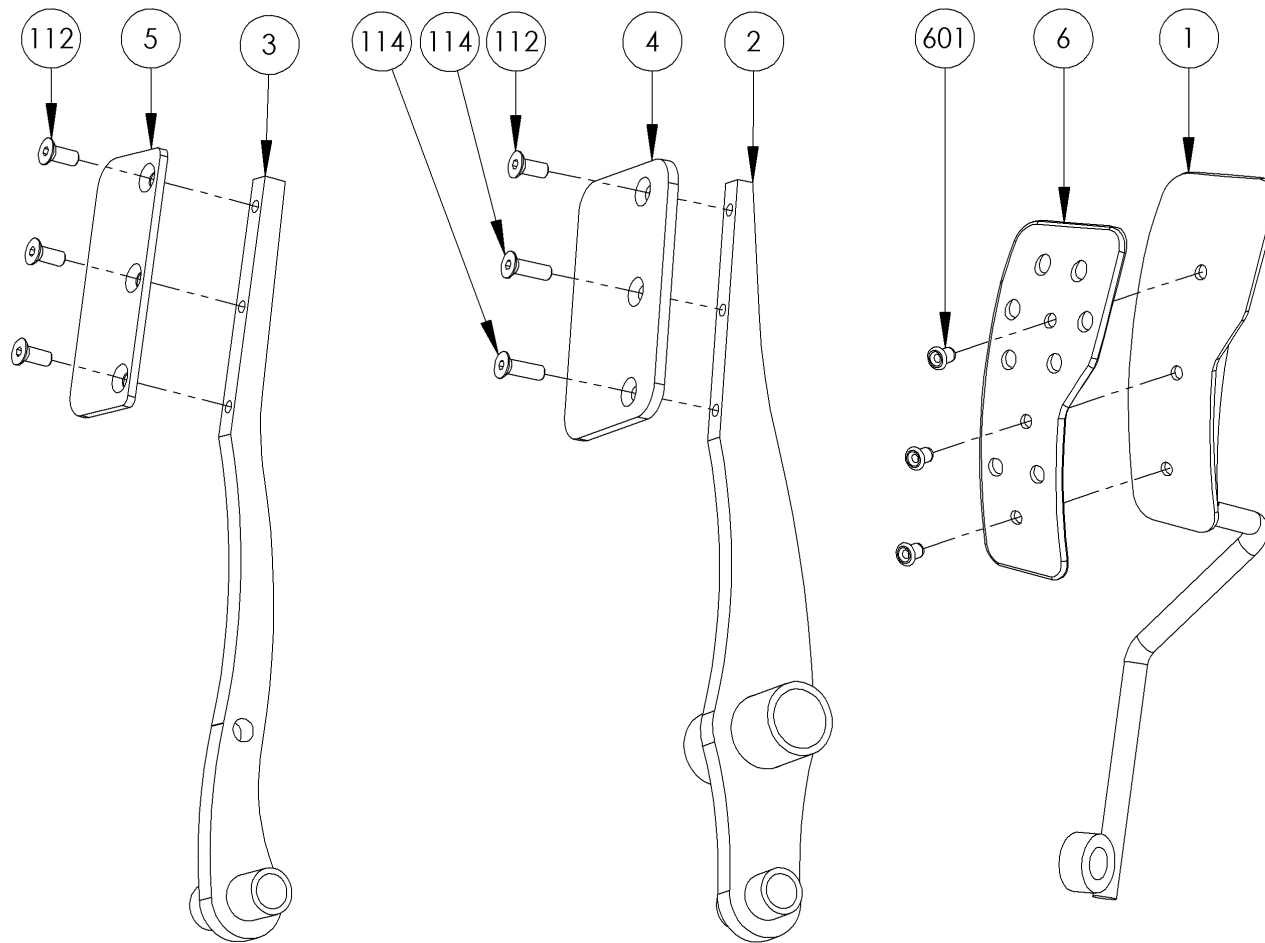
Rep.	Reference	Part Name	Qty	Comment
	G04-13G000	Gearbox Casing		
1	F90025001	Signatech main case	1	
	F9002035	Centering pin diam5	2	
	1202004	Permaglide bush PAP2015P10	1	
	F9002033	Centering pin diam6	2	
2	0201234	O'ring diam166x3	1	
3	0401001	M5 bolt	2	
4	0599012	SPS washer diam5	2	
5	F9002520	Deflector	1	
6	F9002503	Front plate	1	
7	0301100	CHC screw M5x12	13	
8	0301540	CHC screw M6x12	6	
	F9002515	CHC screw M6x12 for seals	2	
9	0206003	Lip seal DL diam 25x47x7	1	
10	0602043	Internal Circlips diam47	1	
11	0101050	Bearing 6005	1	
12	F9002032	Bearing housing	1	
13	F9002534	Gearshift Cable Bracket	1	
14	0301422	CHC screw M6x16	3	
15	0205021	Lip seal DL diam 20x30x7	1	
16	0601038	External circlips diam 12	2	
17	F9002507	axle	1	
18	0301373	CHC screw M7x16	2	
19	0101028	Bearing 6001 2RS	2	
20	F9002508	Bell crank	1	
21	5003007	Gearbox Oil Drain Plug M16x150	1	
22	5002018	Oil drain plug seal	2	
23	F00590481	Magnetic Gearbox Oil Drain Plug M16x150	1	
24	F9002210	Rear case	1	
25	F9002027	Plate	1	
26	0499004	Simmonds bolt M7	8	
27	F9002514	Threated pin M7	8	
28	F9002501	Differential case	1	
29	F9002516	CHC screw M8x16 for seals	2	
29a	0301171	CHC screw M8x16	9	



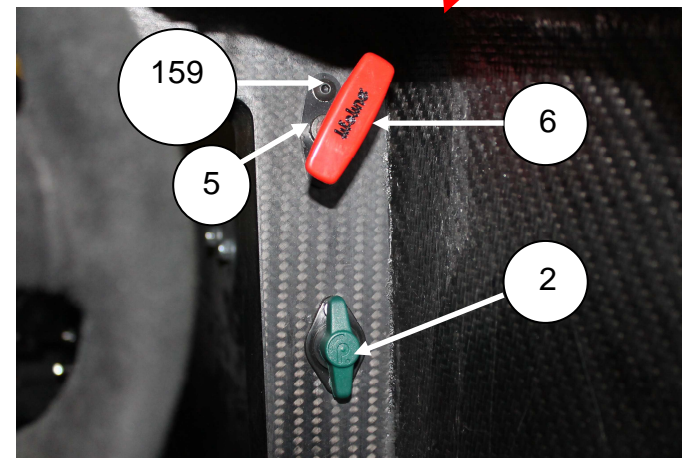
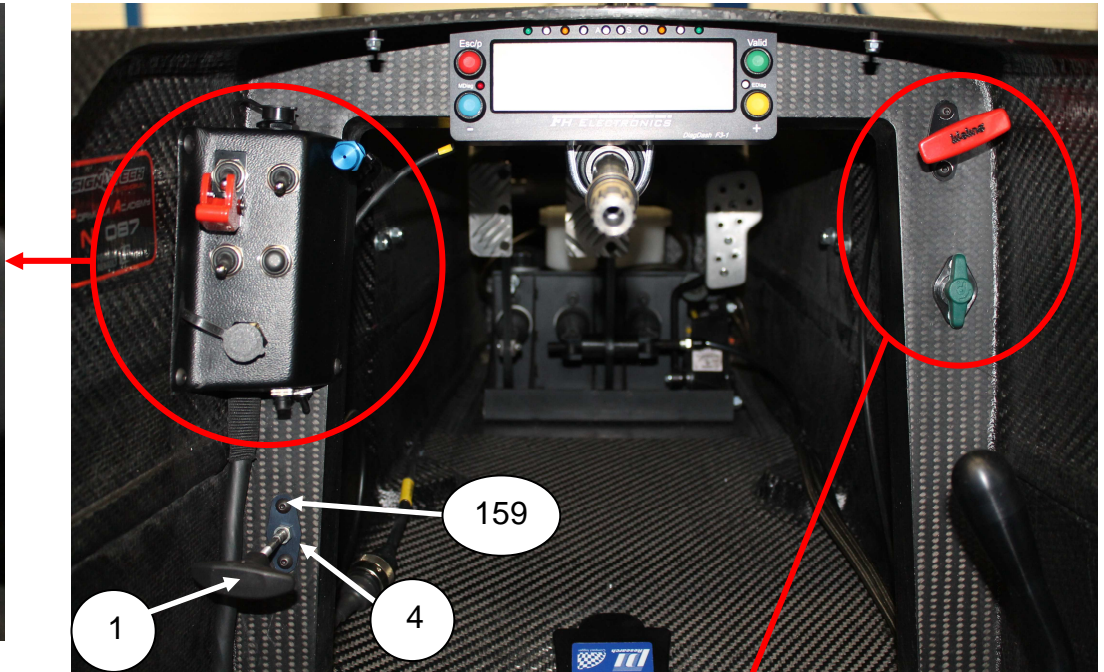
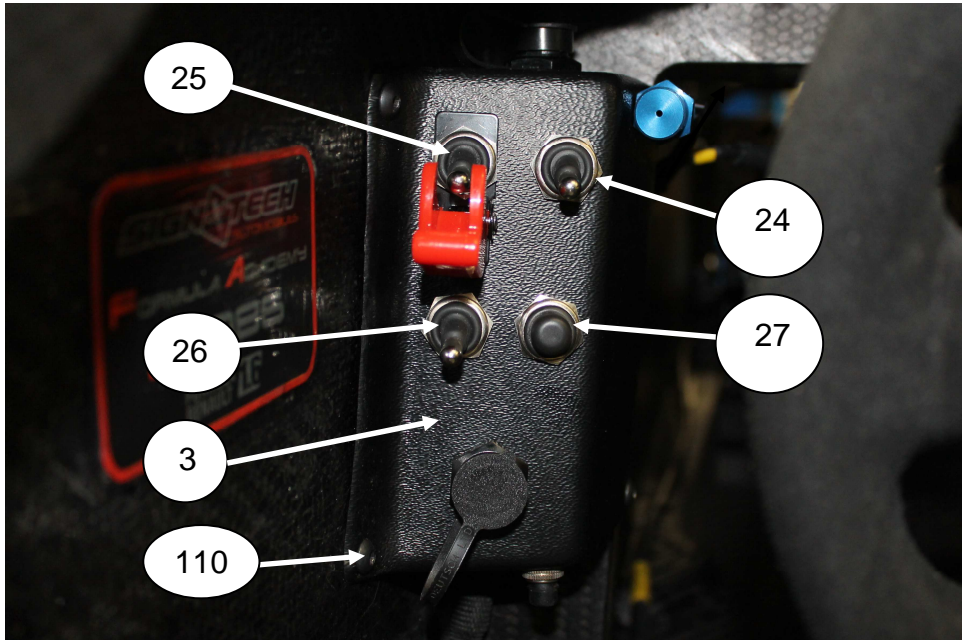
Rep.	Reference	Part Name	Qty	Comment
	G04-14000	<u>Gearshift Mechanism & Pedals</u>		
	G04-14A000	Gearshift Mechanism		
1	G04-14A001V2	Gearshift Lever	1	
2	G04-14A002V1	Gearshift Lever Bearing	1	
3	G04-14A003V1	Gear Lever Stud	1	
4	G04-14A004V1	Gearshift Cable	1	
5	G04-14A005V1	Gearshift Cable Ball Joint	2	
6	G04-14A006V1	Gearshift Cable Clamp	1	
7	G04-14A007V1	Gearshift Cable Clamp Plate	1	
105	G04-21A005V1	CHC M5 x 20	2	
119	G04-21A019V1	CHC M6 x 25	1	
124	G04-21A024V1	BHC M6 x 20	1	
137	G04-21A037V1	BHC M8 x 45	1	Loctite 243
203	G04-21B003V1	Flat Washer Ø5 x 10	4	
212	G04-21B012V1	Flat Washer Ø8 x 22	1	
303	G04-21C003V1	Nylstop M6	2	



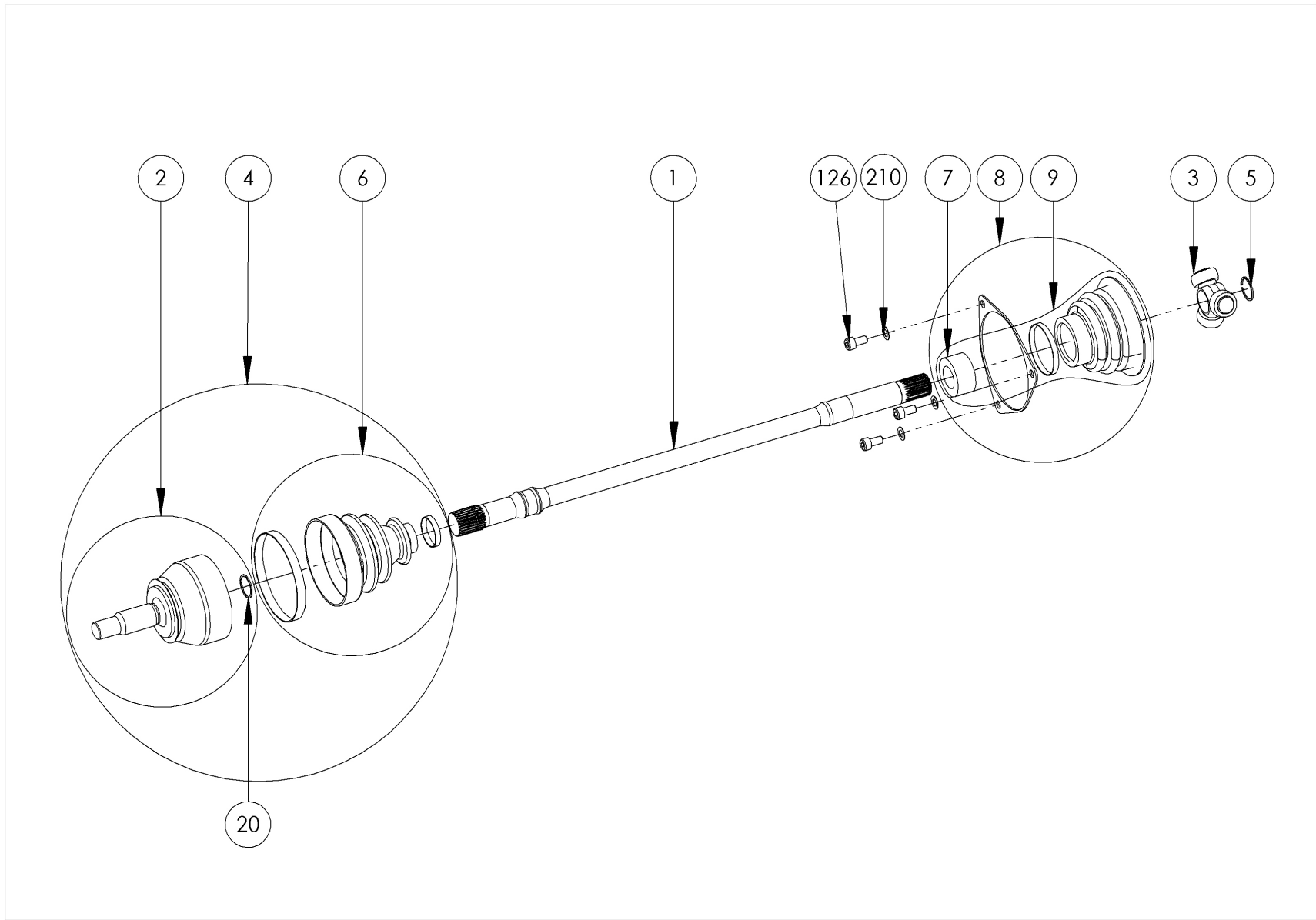
Rep.	Reference	Part Name	Qty	Comment
	G04-14B000	Pedal Assy		
1	G04-14B001V1	Pedal Box	1	
2	G04-14B002V1	Brake Pedal Spacer	1	
3	G04-14B003V1	Clutch Pedal Spacer	1	
4	G04-14B004V1	Drive by Wire Throttle	1	
5	G04-14B005V2	Brake Pump 0.7	2	
6	G04-14B006V1	Clutch Pump 0.7	1	
7	G04-14B007V1	Brake Bias Rocker	1	
8	G04-14B008V1	Brake Bias Push Rod	2	
9	G04-14B009V1	Brake Bias Bush	2	
10	G04-14B010V1	Clutch Pedal Bracket	1	
11	G04-14A011V1	Throttle Pedal Stop	1	
12	G04-14B012V1	Brake Pump Reservoir	2	
13	G04-14B013V1	Brake Pump Reservoir Gasket	2	
14	G04-14B014V2	Signatech Brake Bias Mechanism	-	
15	G04-14B015V1	Brake Pump Reservoir Adaptator	2	
126	G04-21A026V1	CHC M8 x 16	4	
128	G04-21A028V1	CHC M8 x 25	9	
141	G04-21A041V1	H M8 x 45	1	
142	G04-21A042V1	H M8 x 55	1	
177	G04-21A077V1	CHC M8 x 80	1	
178	G04-21A078V1	Throttle Pedal Screw	1	
210	G04-21B010V1	Onduflex Ø8	4	
211	G04-21B011V1	Flat Washer Ø8 x 16	9	
222	G04-21B022V1	Flat Washer Ø10.5 x 20	2	
223	G04-21B023V1	Copper Washer	2	
304	G04-21C004V1	Nylstop M8	11	
305	G04-21C005V1	Nut H M8	2	
309	G04-21C009V1	5/16 Nut	3	
316	G04-21C016V1	3/8" Jam Nut H	2	



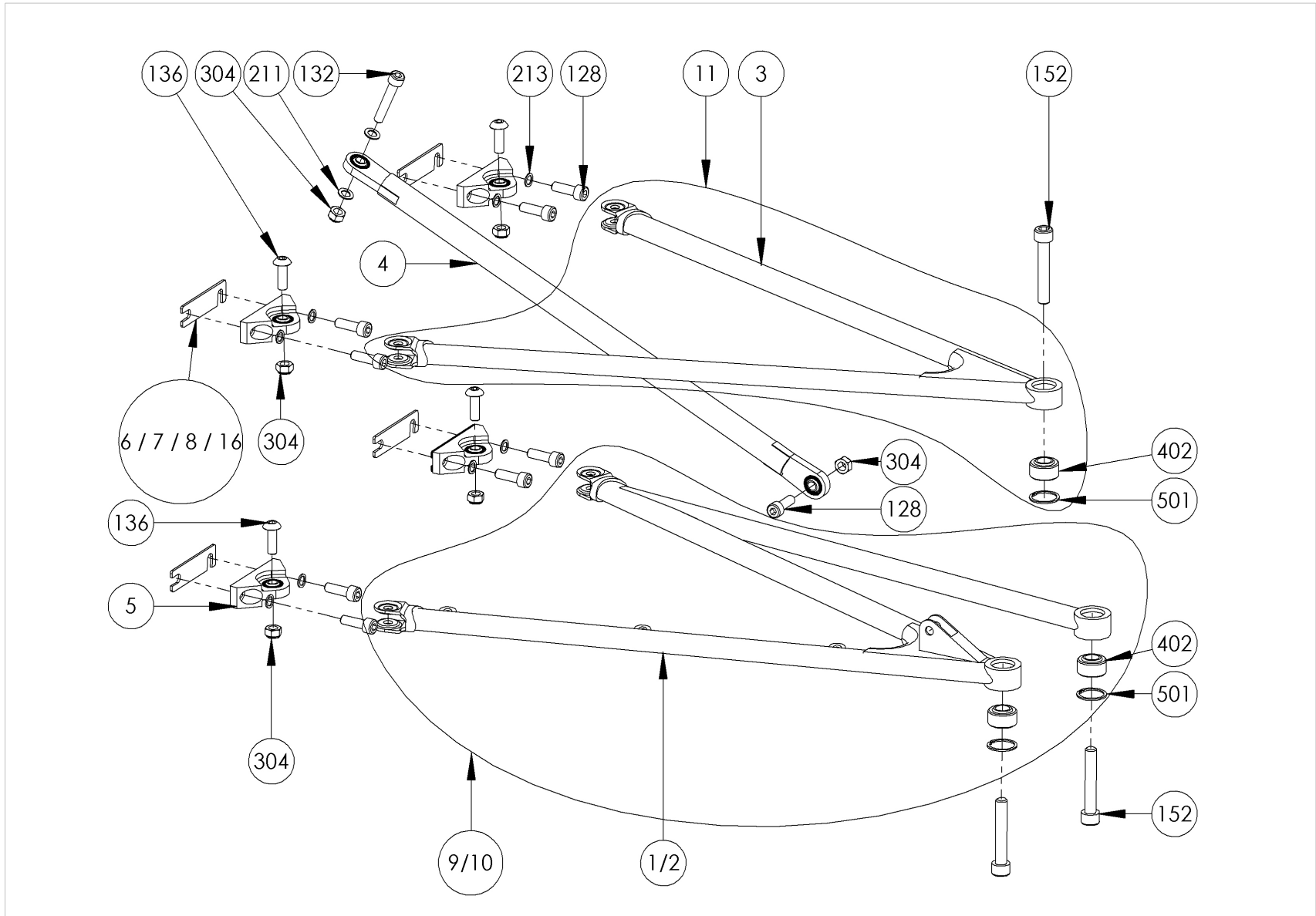
Rep.	Reference	Part Name	Qty	Comment
	G04-14C000	Pedals		
1	G04-14C001V1	Throttle Pedal	1	
2	G04-14C002V2	Brake Pedal	1	
3	G04-14C003V1	Clutch Pedal	1	
4	G04-14C004V1	Brake Pedal Plate	1	
5	G04-14C005V1	Clutch Pedal Plate	1	
6	G04-14C006V1	Throttle Pedal Plate	1	
112	G04-21A012V1	FHC M5 x 12	4	
114	G04-21A014V1	FHC M5 x 16	2	Loctite 243
601	G04-21F001V1	Rivet TP Ø4,8x10	3	



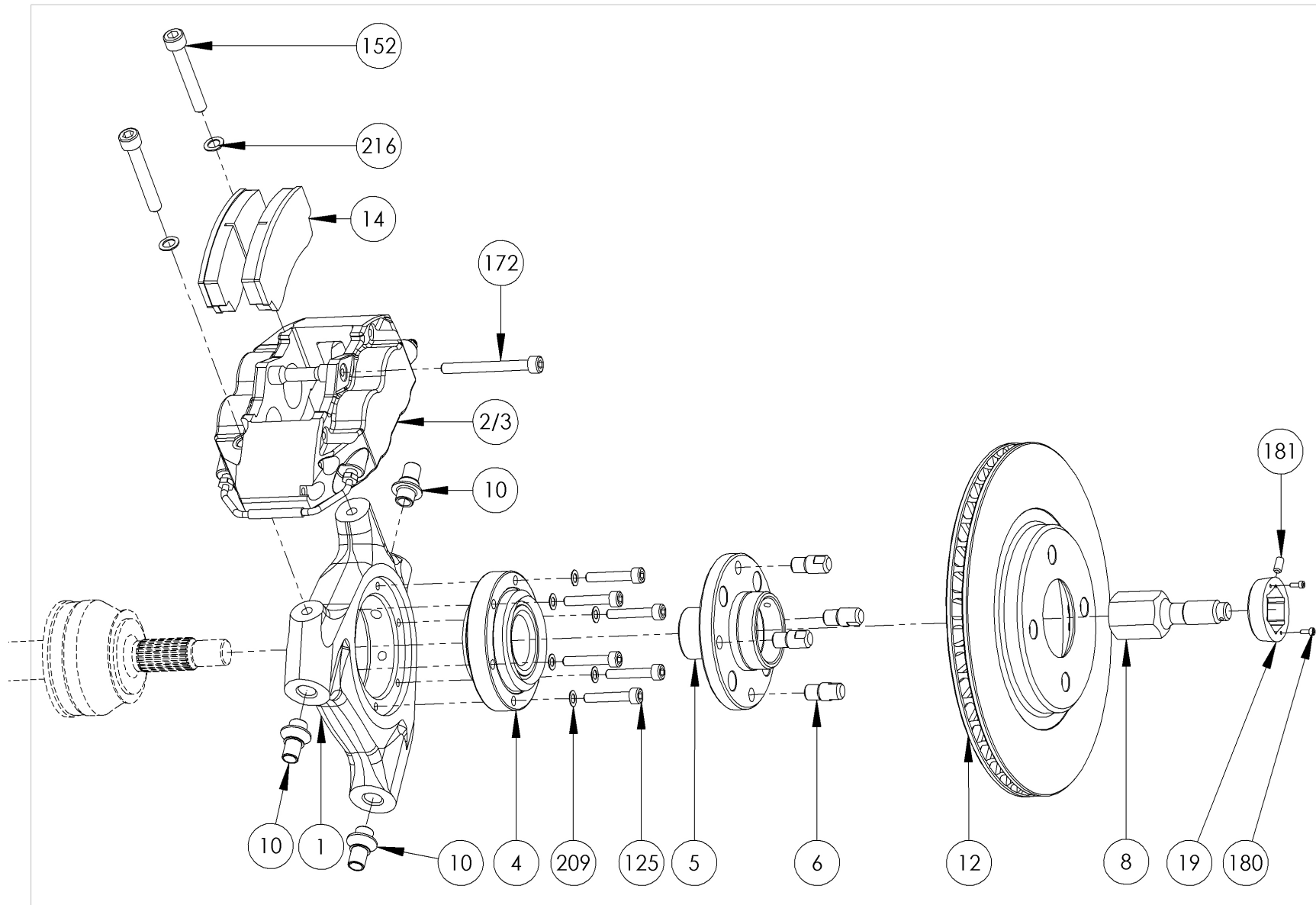
Rep.	Reference	Part Name	Qty	Comment
	G04-14D000	Dash Panel		
1	G04-14D001V1	Neutral & Reverse Handgrip	1	
2	G04-14D002V1	Brake Bias Cable	1	
3	G04-14D003V1	Switch Panel	1	
4	G04-14D004V1	Reverse Cable Retainer	1	
5	G04-14D005V1	Fire Extinguisher Cable Retainer	1	
6	G04-05B004V1	Fire Extinguisher Cable (incl. Nut and Washer)	1	
24	G04-18A024V1	Rain Light Switch	1	
25	G04-18A025V1	Main Switch	1	
26	G04-18A026V1	Ignition Switch	1	
27	G04-18A027V1	Starter	1	
110	G04-21A010V1	BHC M5 x 16	4	
159	G04-21A059V1	BHC M5 x 20	4	



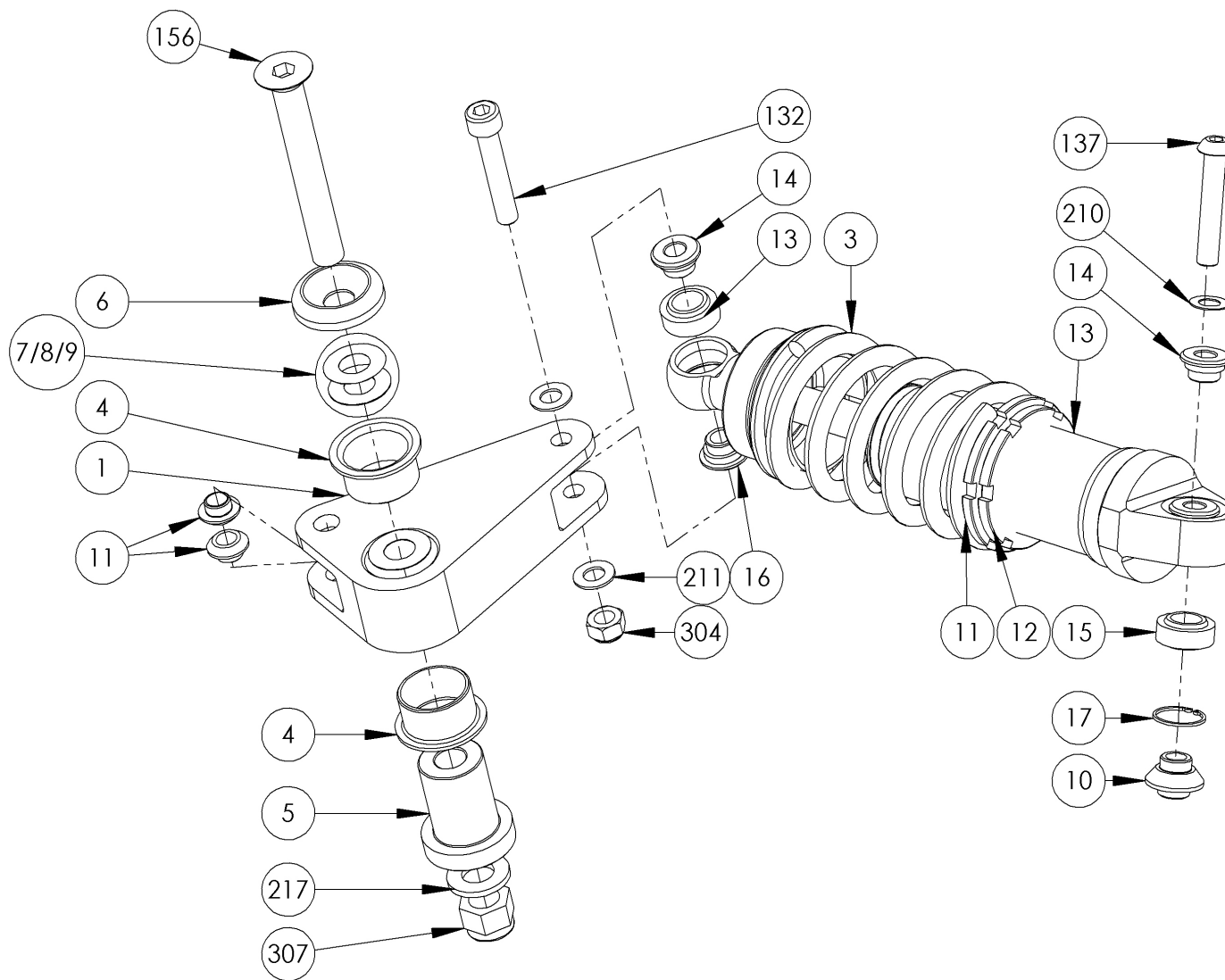
Rep.	Reference	Part Name	Qty	Comment
	G04-15000	Drive Shaft		
1	G04-15A001V3	Drive Shaft	1	
2	G04-15A002V1	Homocinetic Joint	1	
3	G04-15A003V1	Tripod Joint	1	
4	G04-15A004V1	Outer CV Boot & Clips	1	
5	G04-15A005V1	Tripod Circlip SW24	1	
6	G04-15A006V1	Homocinetic Joint Assy	1	
7	G04-15A007V1	Bearing Ø25.7 mm	1	
8	G04-15A008V1	Inner CV Boot Flange Assy	1	
9	G04-15A009V1	Inner CV Boot Assy	1	
10	G04-15A010V3	Drive Shaft Assy (all the parts except Flange)	1	
20	G04-15A020V1	Homocinetic Clip	1	
126	G04-21A026V1	CHC M8 x 16	3	
210	G04-21B010V1	Onduflex Ø8	3	



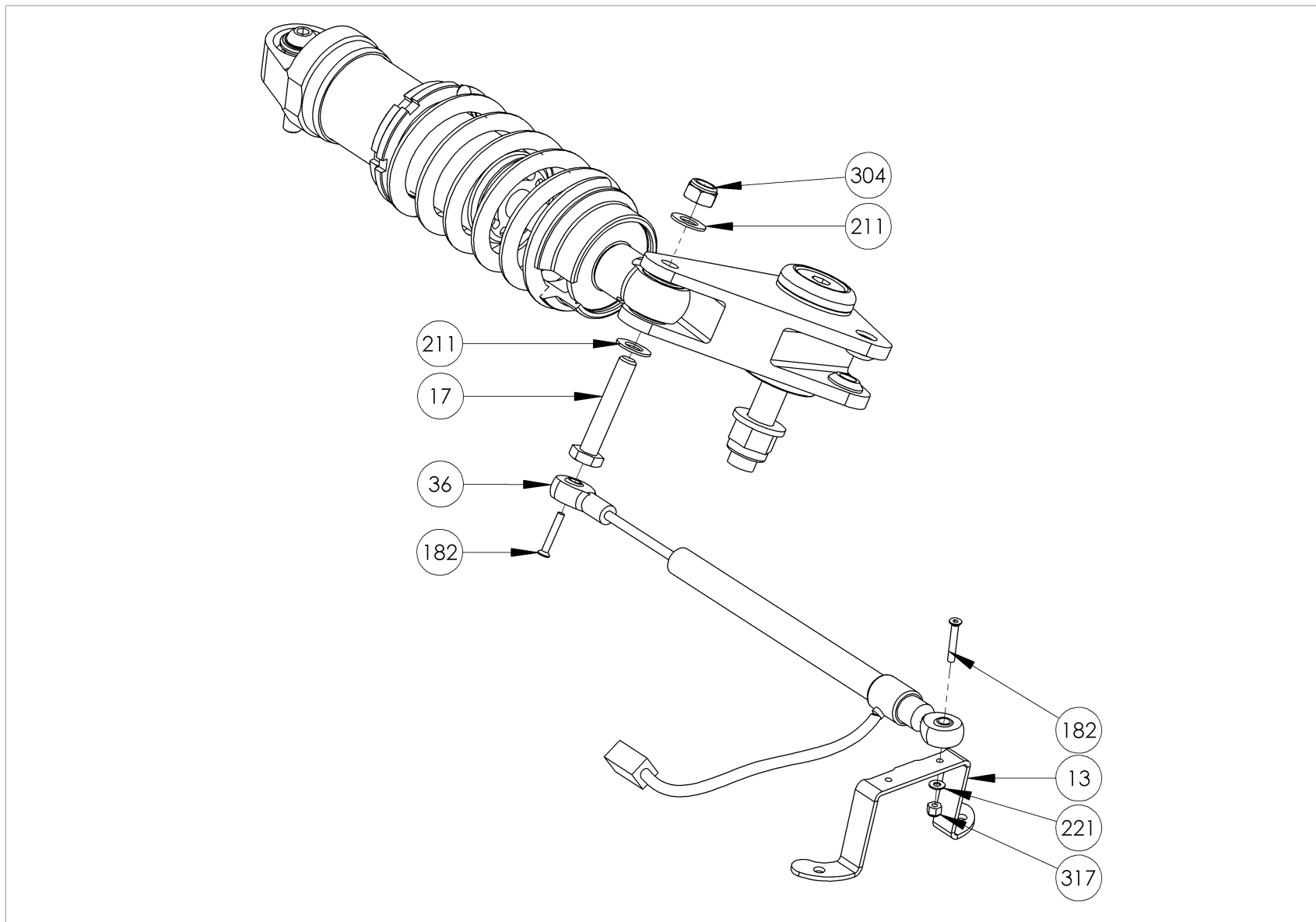
Rep.	Reference	Part Name	Qty	Comment
	G04-16000	Rear Suspension		
	G04-16A000	Rear Suspension Assy		
1	G04-16A001V1	Left Lower Rear Wishbone	1	
2	G04-16A002V1	Right Lower Rear Wishbone	-	
3	G04-16A003V1	Upper Rear Wishbone	1	
4	G04-16A004V1	Rear Push Rod with 2 NMB ABWT 5V	1	
5	G04-16A005V1	Rear Wishbone Bracket	4	
6	G04-16A006V1	Toe / Camber Adjuster 1 mm	-	
7	G04-16A007V1	Toe / Camber Adjuster 1.5 mm	-	
8	G04-16A008V1	Toe / Camber Adjuster 2 mm	-	
9	G04-16A009V1	Left Lower Rear Wishbone Assy	1	
10	G04-16A010V1	Right Lower Rear Wishbone Assy	-	
11	G04-16A011V1	Upper Rear Wishbone Assy	1	
16	G04-16A016V1	Toe / Camber Adjuster 0.5 mm	-	
128	G04-21A028V1	CHC M8 x 25	9	
132	G04-21A032V1	CHC M8 x 45	1	
136	G04-21A036V1	BHC M8 x 25	4	
152	G04-21A052V1	CHC M10 x 60	3	
211	G04-21B011V1	Flat Washer Ø8 x 16	2	
213	G04-21B013V1	Schnor Ø8	8	
304	G04-21C004V1	Nylstop M8	6	
402	G04-21D002V1	NMB ABWT 8	3	
501	G04-21E001V1	Circlips Ø26	3	



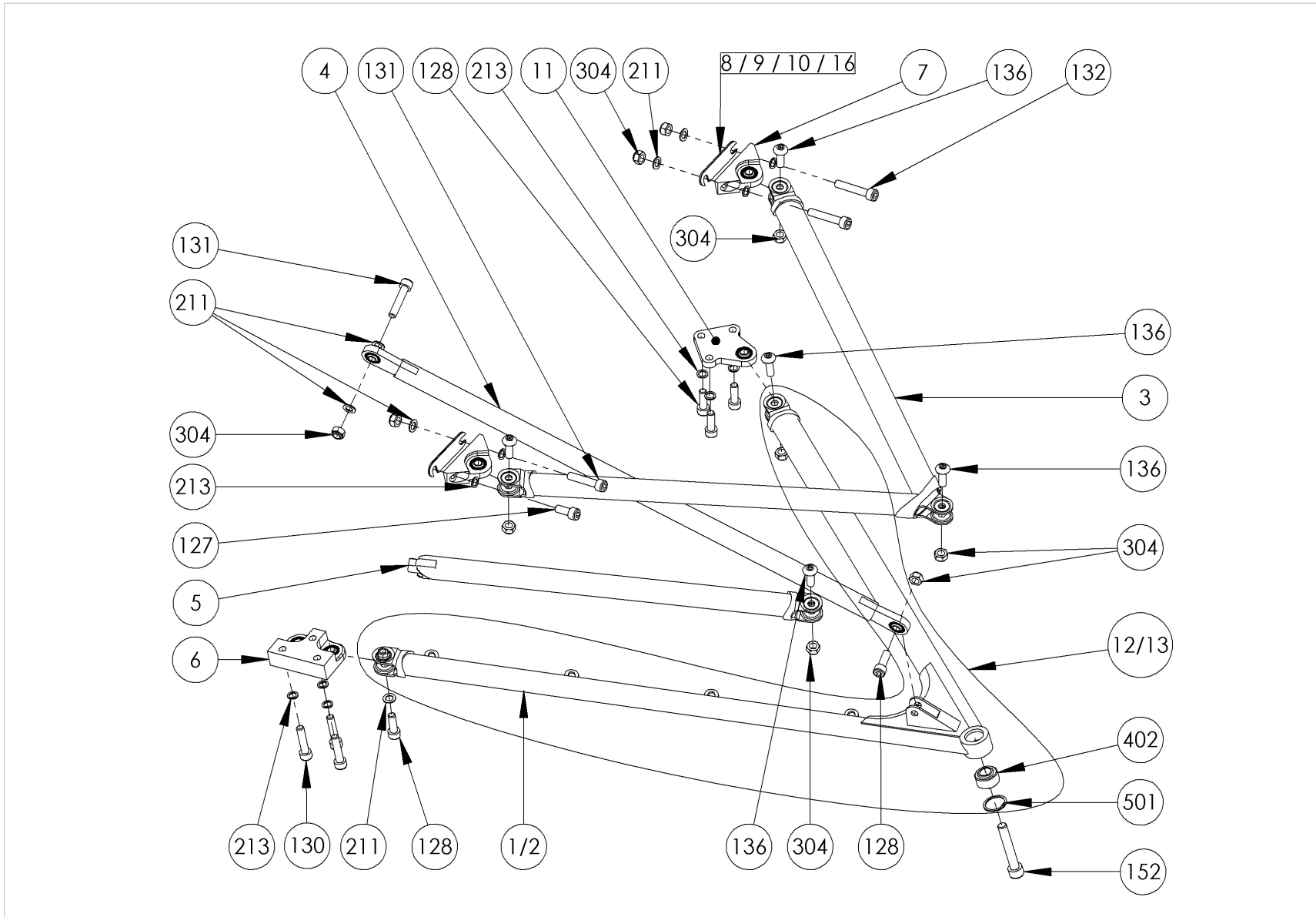
Rep.	Reference	Part Name	Qty	Comment
	G04-16B000	Rear Upright Assy		
2	G04-16B002V2	Alcon Rear Left Brake Caliper	1	
3	G04-16B003V2	Alcon Rear Right Brake Caliper	1	
1	G04-17B001V2A	Alcon Upright	1	
4	G04-17B004V1	Wheel Bearing	1	
5	G04-17B005V1	Outer Hub	1	
6	G04-17B006V1	Drive Peg	4	Loctite 270
8	G04-17B008V2	Wheel Stud	1	Loctite 270 + 350 Nm
10	G04-17B010V1	Upright Bush	3	
12	G04-17B012V2	Alcon Brake Disk	1	
14	G04-17B014V2	1 Set of 4 Pads for Alcon Caliper	2	
19	G04-17B019V1	Wheel Stud Lock	1	Only on the left rear upright assy
125	G04-21A025V1	CHC M7 x 40	6	Loctite 270
152	G04-21A053V1	CHC M10 x 65 Head 16	2	
172	G04-21A072V1	CHC M8 x 75	1	
180	G04-21A080V1	CHC M3 x 8	2	Used to extract the Wheel Stud Lock
181	G04-21A081V1	STHC M6 x 12	1	Loctite 243 + 10 Nm
209	G04-21B009V1	Onduflex Ø7	6	
216	G04-21B016V1	Schnor Ø10	2	



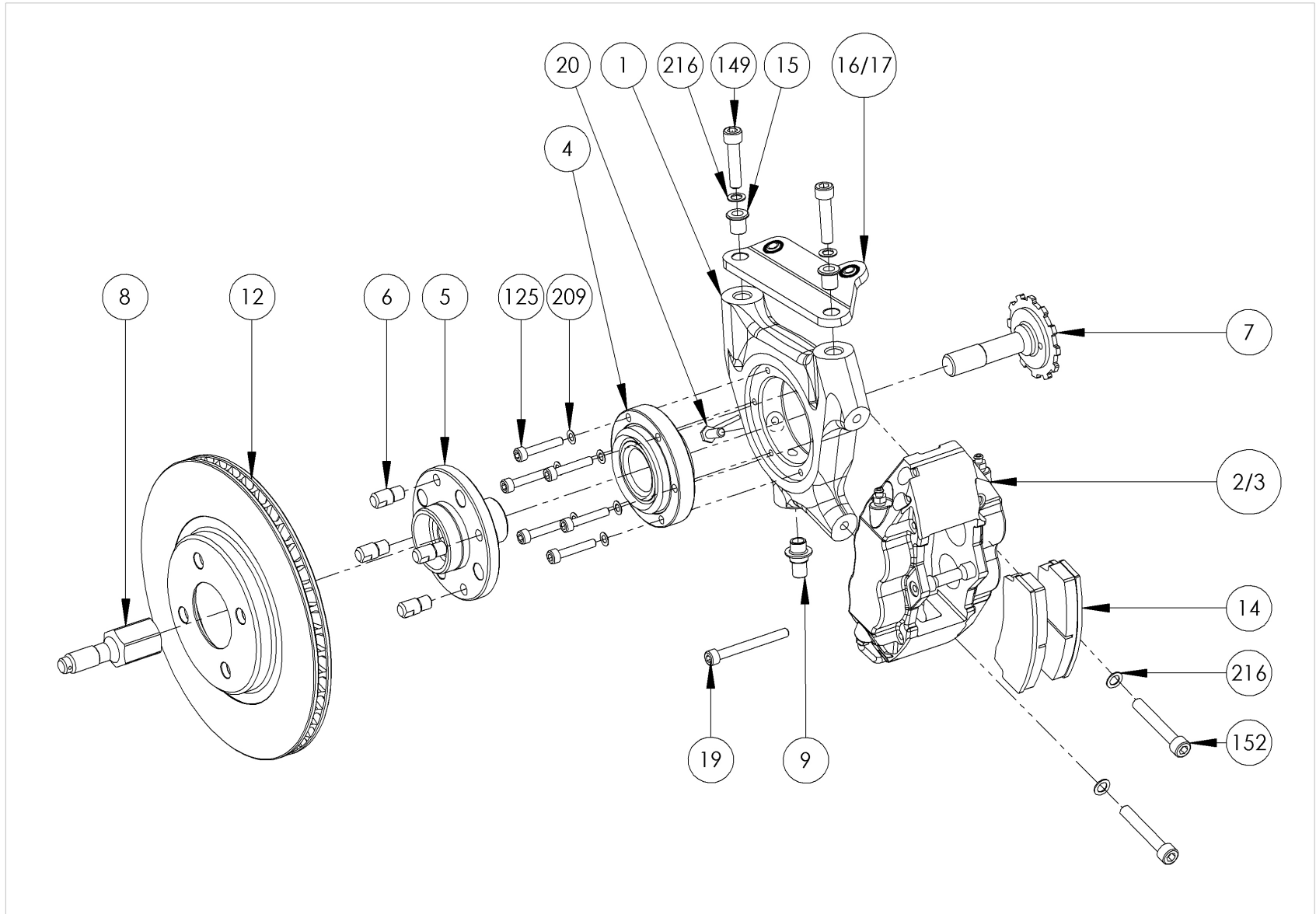
Rep.	Reference	Part Name	Qty	Comment
	G04-16D000	Rear Rocker Assy		
1	G04-16D001V1	Rear Rocker	1	
3	G04-16D003V1	Spring 100 - 120	1	
4	G04-16D004V1	Rear Rocker Axle Bearing	2	
5	G04-16D005V1	Rear Rocker Axle	1	
6	G04-16D006V1	Rear Rocker Preload	1	
7	G04-16D007V1	Rear Rocker Shim 0.1 mm	1	
8	G04-16D008V1	Rocker Shim 0.05 mm	1	
9	G04-16D009V1	Rocker Shim 0.3 mm	-	
10	G04-16D010V1	Gearbox Bush	1	
11	G04-16D011V1	Big Platform Adjuster	1	
12	G04-16D012V1	Small Platform Adjuster	1	
13	G04-17D002V2	Damper (with all Ball joint and Ball Joint Bush)	1	
14	G04-17D011V1	Push Rod Bush	2	
15	G04-17D013V1	Ball Joint	2	
16	G04-17D014V1	Ball Joint Bush	3	
17	G04-17D015V1	Damper Circlip	1	
132	G04-21A032V1	CHC M8 x 45	1	
137	G04-21A037V1	BHC M8 x 45	1	
156	G04-21A056V1	FHC M12 x 90	1	
210	G04-21B010V1	Onduflex Ø8	1	
211	G04-21B011V1	Flat Washer Ø8 x 16	2	
217	G04-21B017V1	Flat Washer Ø12 x 24	1	
304	G04-21C004V1	Nylstop M8	1	
307	G04-21C007V1	Nylstop M12	1	



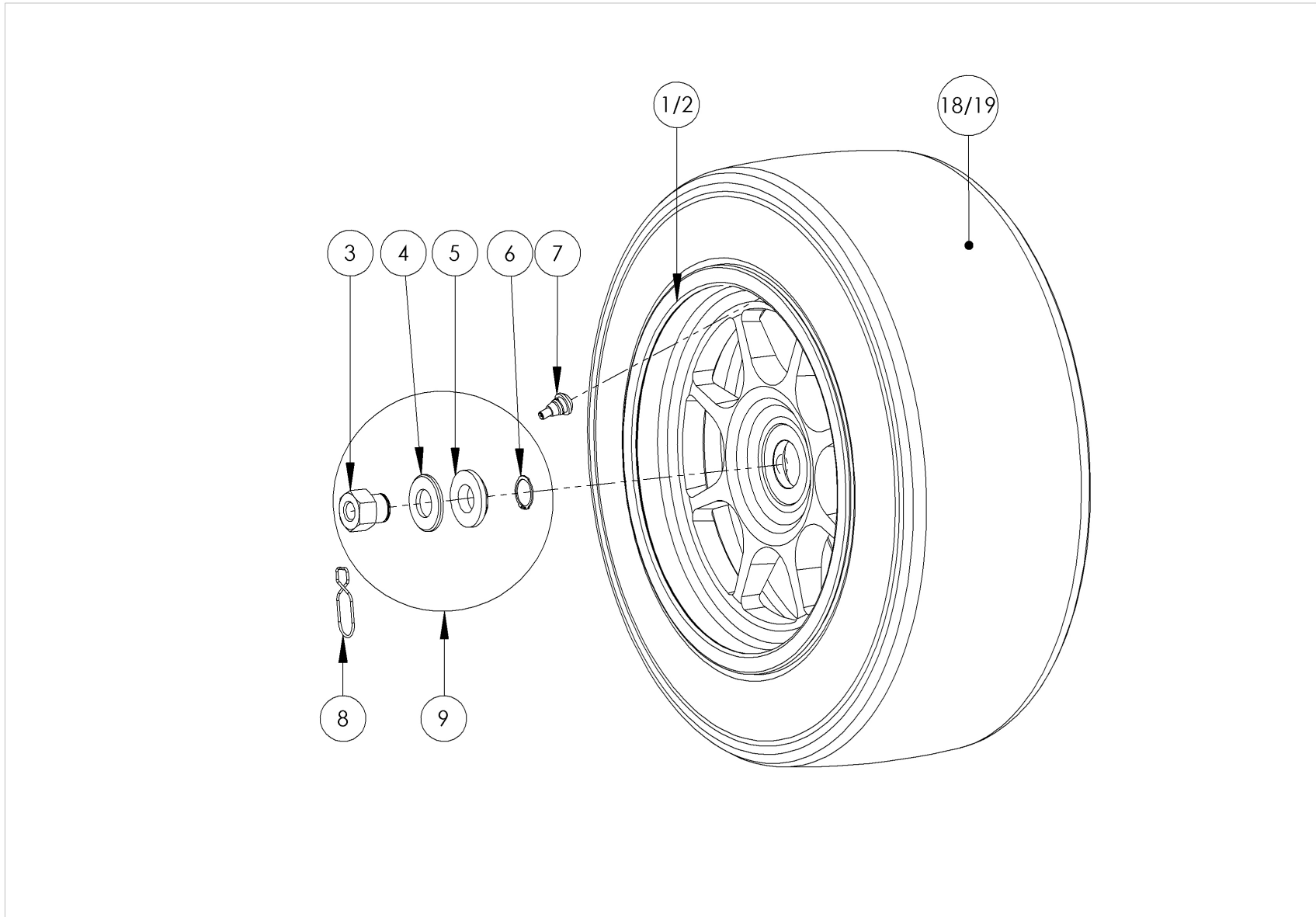
Rep.	Reference	Part Name	Qty	Comment
	G04-16D000	Rear Rocker Assy (Optional)		
13	G04-16D013V1	Damper Displacement Sensor Support	1	
17	G04-17D017V1	Machined Screw for Damper Displacement Sensor	1	
36	G04-18A036V2	Damper Displacement Sensor with DTM connector	1	
132	G04-21A032V1	CHC M8 x 45	1	
182	G04-21A082V1	FHC M3 x 20	2	
211	G04-21B011V1	Flat Washer Ø8 x 16	2	
221	G04-21B021V1	Flat Washer Ø3 x 7	1	
304	G04-21C004V1	Nylstop M8	1	
317	G04-21C017V1	Nylstop M3	1	



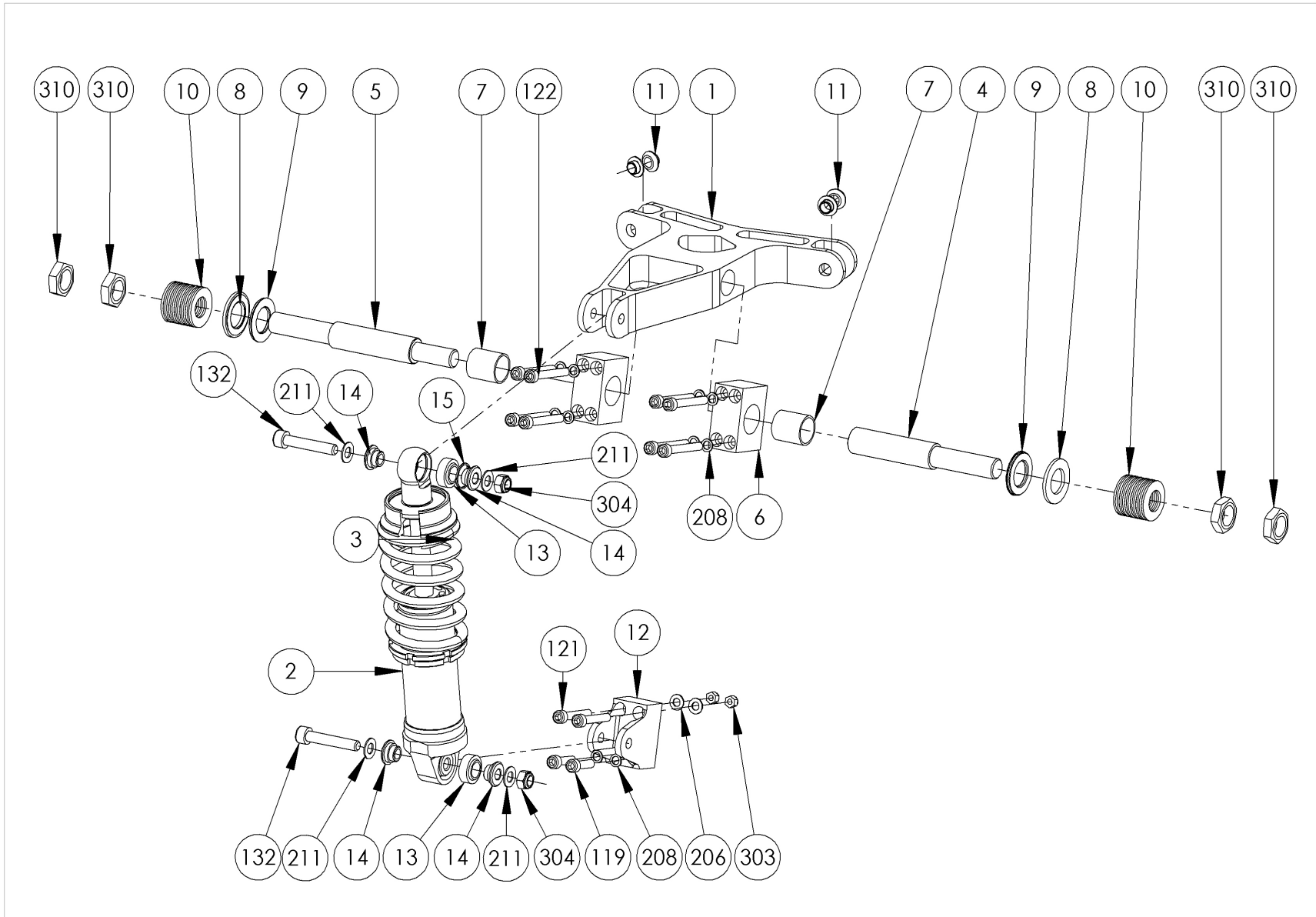
Rep.	Reference	Part Name	Qty	Comment
	G04-17000	Front Suspension		
	G04-17A000	Front Suspension Assy		
1	G04-17A001V1	Left Lower Front Wishbone	1	
2	G04-17A002V1	Right Lower Front Wishbone	-	
3	G04-17A003V1	Upper Front Wishbone	2	
4	G04-17A004V1	Front Push Rod	2	
5	G04-17A005V1	Track Rod	2	
6	G04-17A006V3	Lower Front Wishbone Bracket with 2 ball joints	1	
7	G04-17A007V2	Upper Front Wishbone Bracket with 1 Ball Joint	4	
8	G04-17A008V1	Camber Adjuster 1 mm	-	
9	G04-17A009V1	Camber Adjuster 1.5 mm	-	
10	G04-17A010V1	Camber Adjuster 2 mm	-	
11	G04-17A011V1	Lower Rear Wishbone Bracket with Ball Joint	2	
12	G04-17A012V1	Left Lower Front Wishbone Assy	1	
13	G04-17A013V1	Right Lower Front Wishbone Assy	-	
16	G04-17A016V1	Camber Adjuster 0.5 mm	-	
127	G04-21A027V1	CHC M8 x 20	1	
128	G04-21A028V1	CHC M8 x 25	5	
130	G04-21A030V1	CHC M8 x 35	3	
131	G04-21A031V1	CHC M8 x 40	2	
132	G04-21A032V1	CHC M8 x 45	2	
136	G04-21A036V1	BHC M8 x 25	5	
152	G04-21A052V1	CHC M10 x 60	1	
211	G04-21B011V1	Flat Washer Ø8 x 16	6	
213	G04-21B013V1	Schnor Ø8	10	
304	G04-21C004V1	Nylstop M8	10	
402	G04-21D002V1	NMB ABWT 8	1	
501	G04-21E001V1	Circlips Ø26	1	



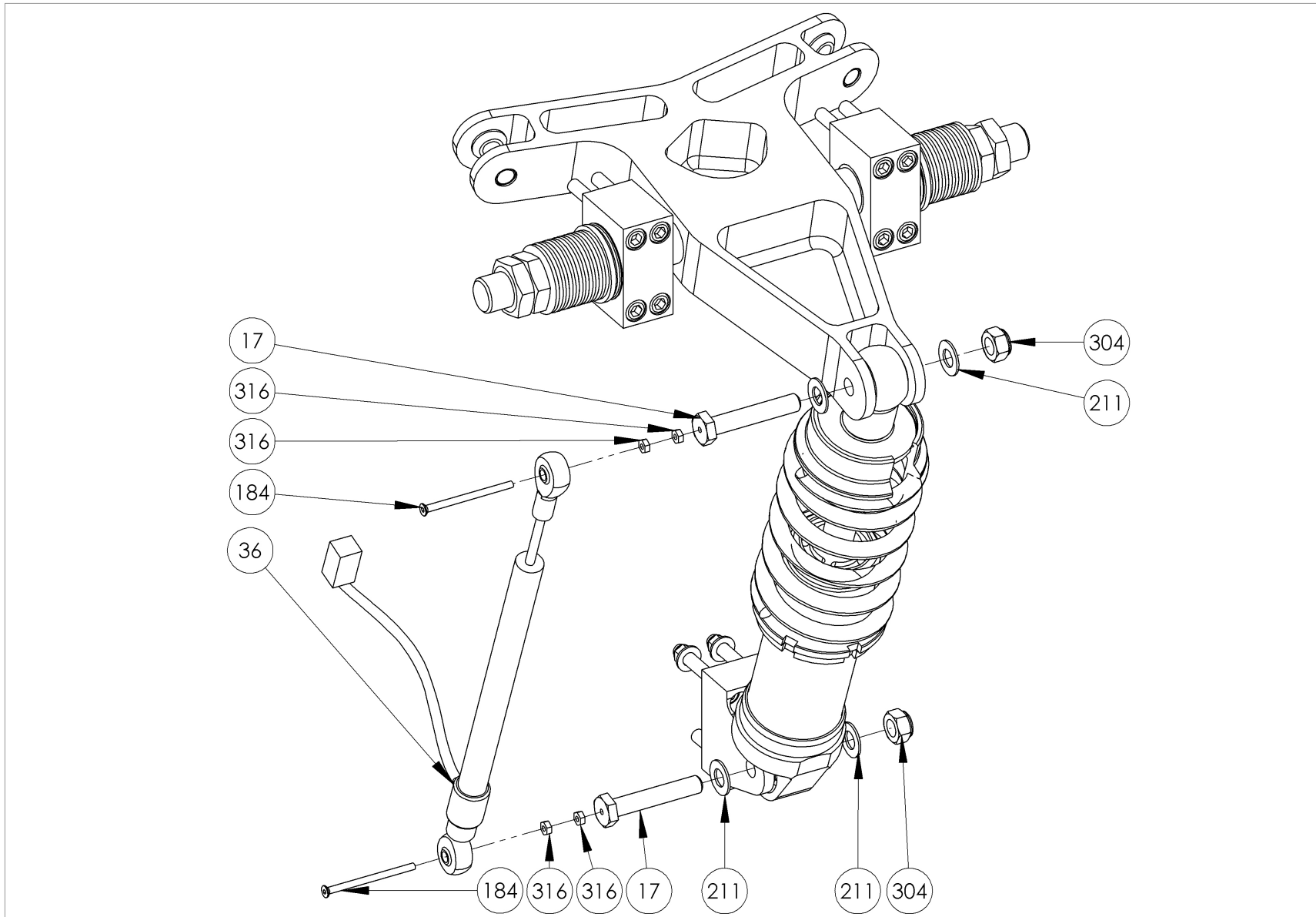
Rep.	Reference	Part Name	Qty	Comment
	G04-17B000	Front Upright Assy		
1	G04-17B001V2A	Alcon Upright	1	
2	G04-17B002V2	Alcon Front Left Brake Caliper	1	
3	G04-17B003V2	Alcon Front Right Brake Caliper	-	
4	G04-17B004V1	Wheel Bearing	1	
5	G04-17B005V1	Outer Hub	1	
6	G04-17B006V1	Drive Peg	4	Loctite 270
7	G04-17B007V1	Front Bearing Stud	1	Loctite 270 + 180 Nm
8	G04-17B008V1	Wheel Stud	1	Loctite 270 + 180 Nm
10	G04-17B010V1	Upright Bush	1	
12	G04-17B012V2	Alcon Brake Disk	1	
14	G04-17B014V2	1 Set of 4 Pads for Alcon Caliper	2	
15	G04-17B015V2	Ackerman Bush	2	
16	G04-17B016V2	Left Ackerman Bracket (+2 NMB ABWT5V)	1	
17	G04-17B017V2	Right Ackerman Bracket (+2 NMB ABWT5V)	-	
30	G04-17B030V1	Brake Piston 31.8 mm	-	
31	G04-17B031V1	Brake Piston 34.9 mm	-	
35	G04-17B035V1	Brake Caliper Oil Seals Kit	-	
20	G04-18A020V2	Wheel Speed Sensor	1	
125	G04-21A025V1	CHC M7 x 40	6	Loctite 270
149	G04-21A049V1	CHC M10 x 45	2	
152	G04-21A052V1	CHC M10 x 65	2	
172	G04-21A072V1	CHC M8 x 75	1	
209	G04-21B009V1	Onduflex Ø7	6	
216	G04-21B016V1	Schnor Ø10	4	



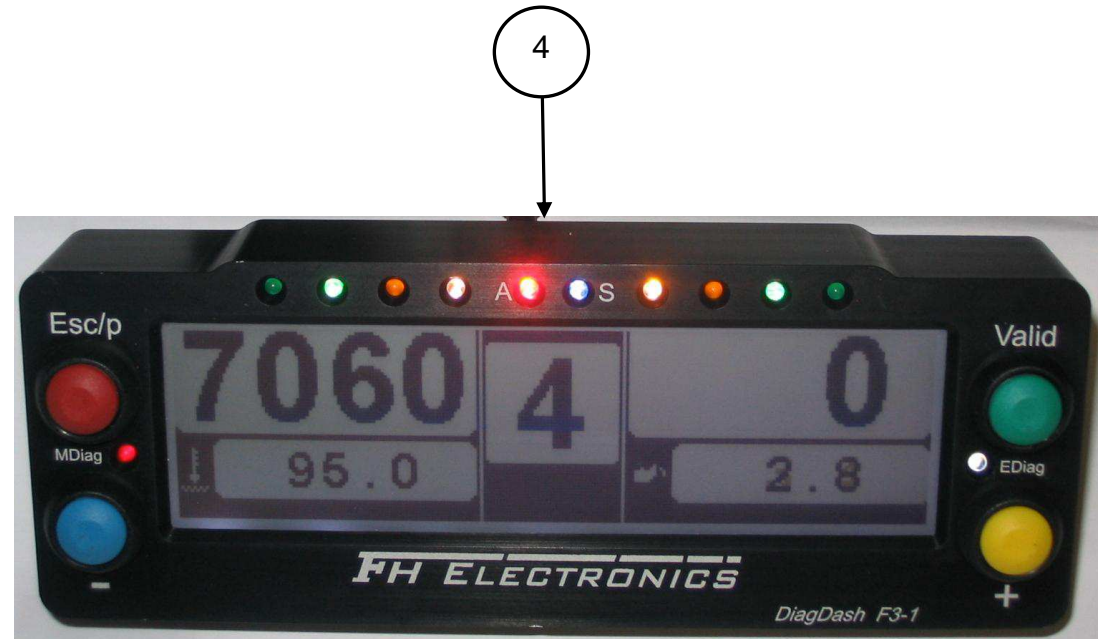
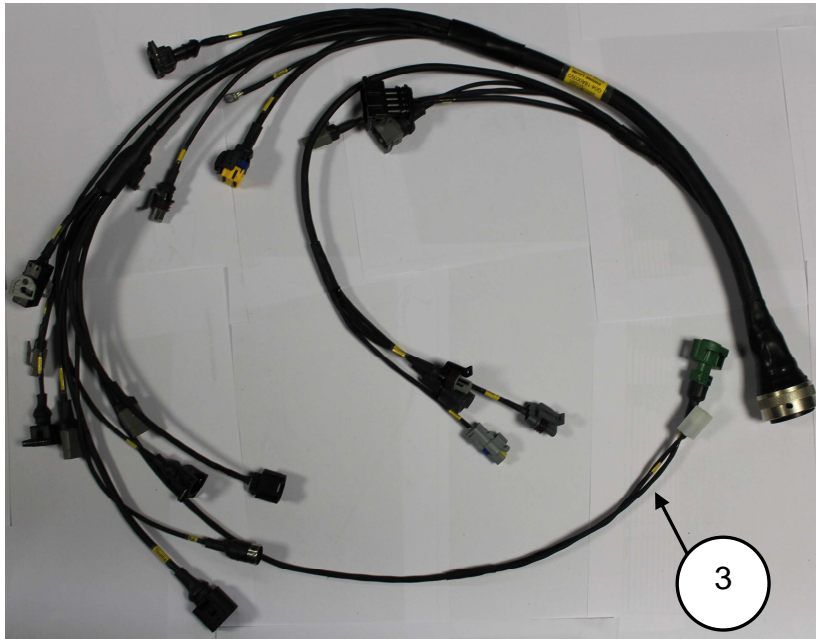
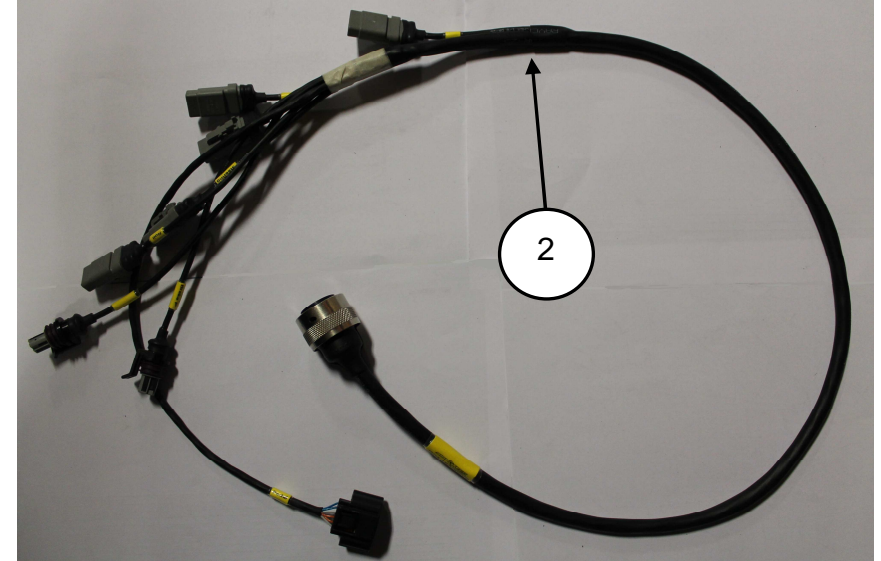
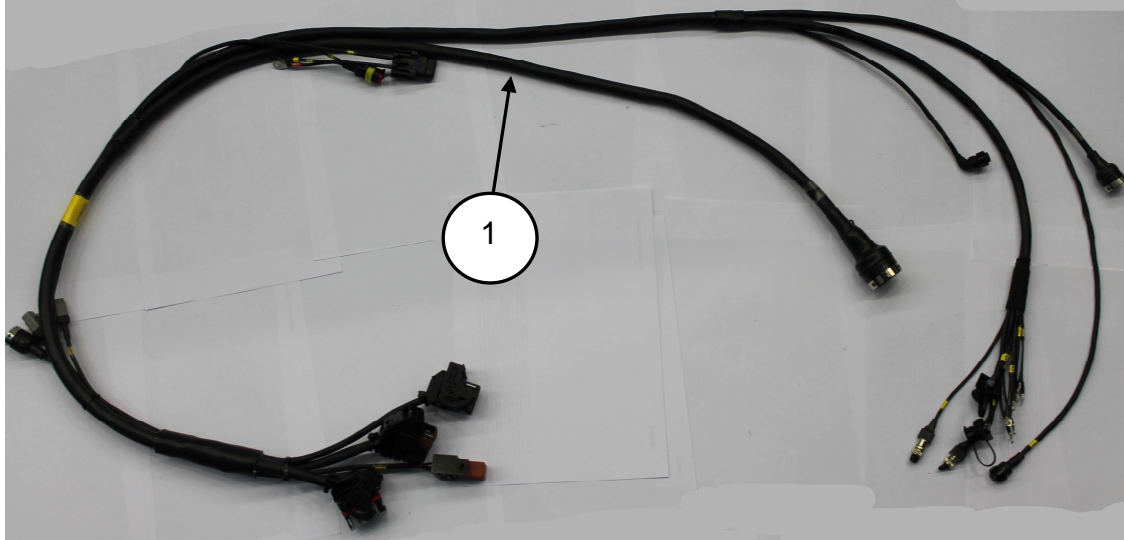
Rep.	Reference	Part Name	Qty	Comment
	G04-17C000	Wheel Assy		
1	G04-17C001V1	Front Rim 8"	1	
2	G04-17C002V1	Rear Rim 10"	-	
3	G04-17C003V1	Wheel Nut	1	160 Nm
4	G04-17C004V1	Wheel Nut Washer	1	
5	G04-17C005V1	Wheel Nut Spacer	1	
6	G04-17C006V1	Wheel Nut Circlips	1	
7	G04-17C007V1	Wheel Valve	1	
8	G04-17C008V1	Safety Pin	1	
9	G04-17C009V1	Wheel Nut Assy	1	
18	G04-17C018V1	Set Slick Tire Kumho	1	
19	G04-17C019V1	Set Wet Tire Kumho	1	



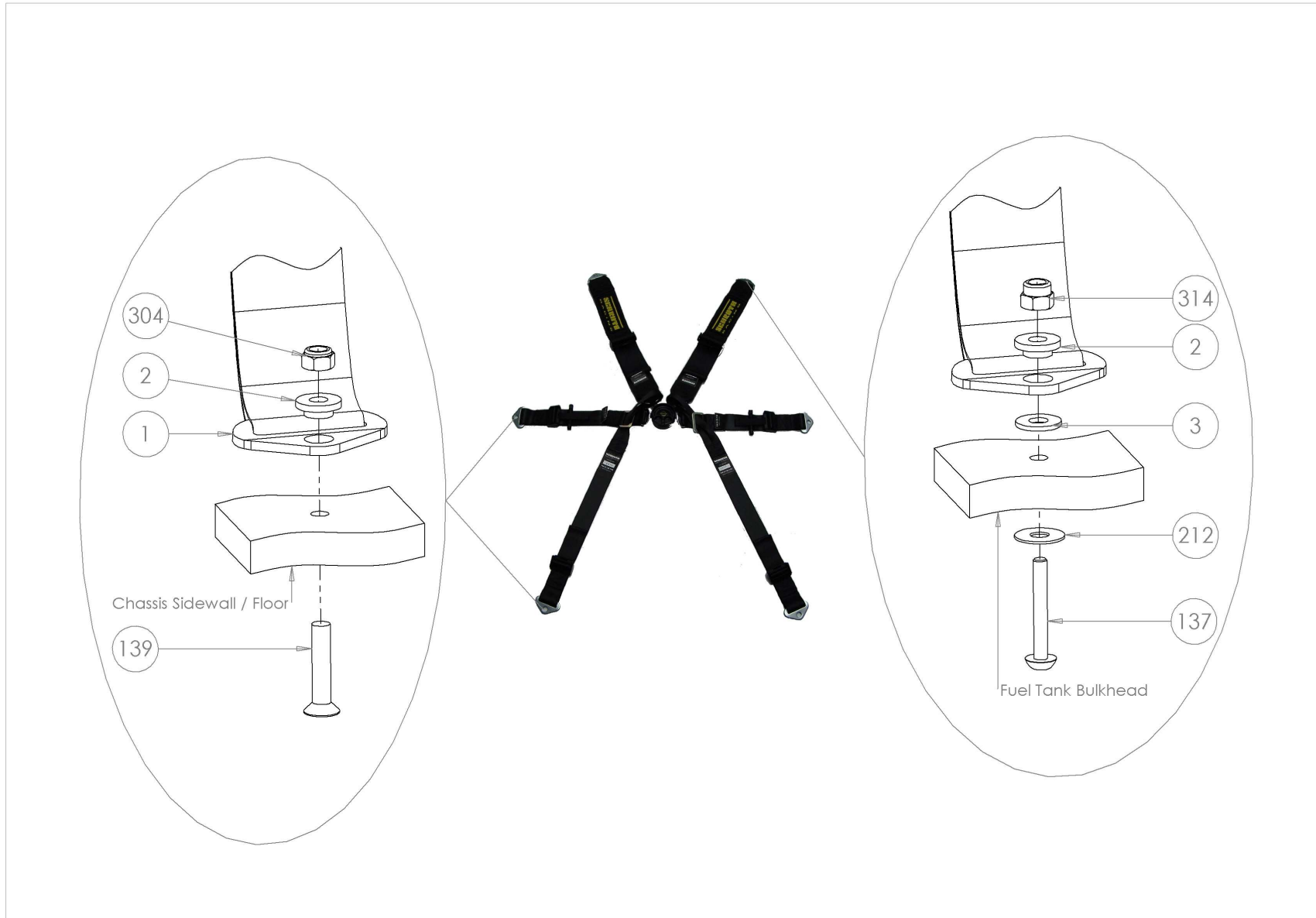
Rep.	Reference	Part Name	Qty	Comment
	G04-17D000	Front Rocker		
1	G04-17D001V2	Front Rocker	1	
2	G04-17D002V2	Damper (with all Ball joint and Ball Joint Bush)	1	
3	G04-17D003V1	Spring 100 - 140	1	
4	G04-17D004V1	Female Rocker Spindle	1	Loctite 270
5	G04-17D005V1	Male Rocker Spindle	1	Loctite 270
6	G04-17D006V1	Front Rocker Clamp	2	
7	G04-17D007V1	Bearing	2	
8	G04-17D008V1	Needle Bearing	2	
9	G04-17D009V1	Bearing Washer	2	
10	G04-17D010V1	Belleville Spring	22	
11	G04-17D011V1	Push Rod Bush	4	
12	G04-17D012V1	Damper Bracket	1	
13	G04-17D013V1	Ball Joint	2	
14	G04-17D014V1	Ball Joint Bush	4	
15	G04-17D015V1	Damper Circlip	1	
119	G04-21A019V1	CHC M6 x 25	2	
121	G04-21A021V1	CHC M6 x 40	2	
122	G04-21A022V1	CHC M6 x 50	8	Loctite 243
132	G04-21A032V1	CHC M8 x 45	2	
206	G04-21B006V1	Flat Washer Ø6 x 12	2	
208	G04-21B008V1	Schnor Ø6	10	
211	G04-21B011V1	Flat Washer Ø8 x 16	4	
303	G04-21C003V1	Nylstop M6	2	
304	G04-21C004V1	Nylstop M8	2	
310	G04-21C010V1	H M16 x 150	4	



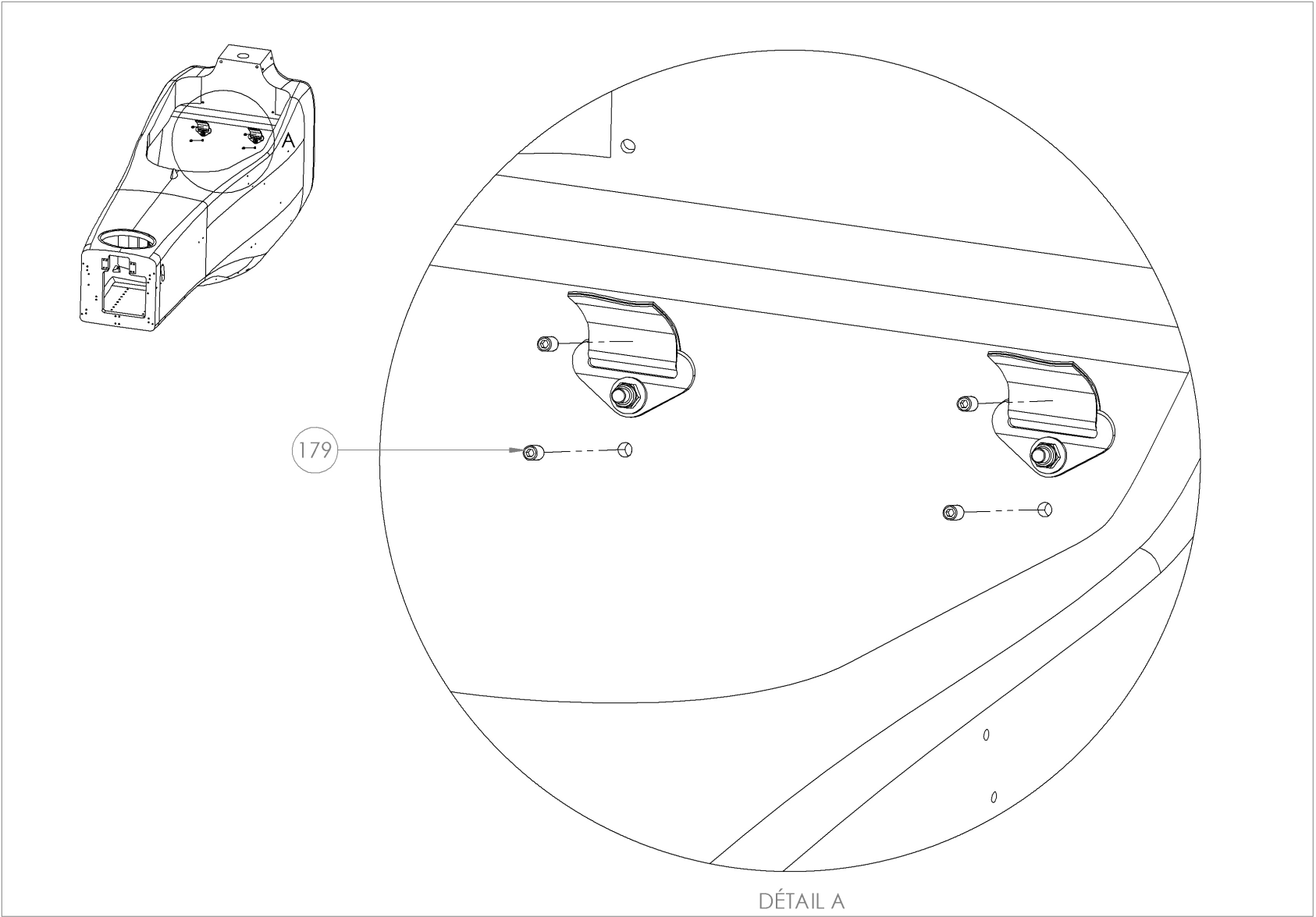
Rep.	Reference	Part Name	Qty	Comment
	G04-17D000	Front Rocker (Optional)		
17	G04-17D017V1	Machined Screw for Damper Displacement Sensor	2	
36	G04-18A036V2	Damper Displacement Sensor with DTM connector	1	
184	G04-21A084V1	FHC M3 x 45	2	
211	G04-21B011V1	Flat Washer Ø8 x 16	2	
304	G04-21C004V1	Nylstop M8	2	
316	G04-21C016V1	Nut H M3	4	



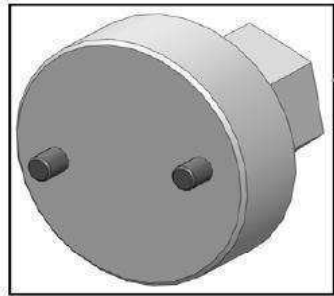
Rep.	Reference	Part Name	Qty	Comment
	G04-18000	Loom		
1	G04-18A001V2	Main Loom	1	
2	G04-18A002V2	Front Loom	1	
3	G04-18A003V2	Engine Loom	1	
4	G04-18A004V1	Dashboard	1	Dual Lock



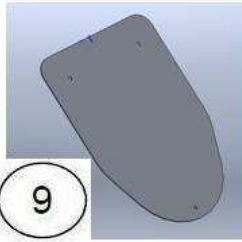
Rep.	Reference	Part Name	Qty	Comment
	G04-19000	Safety Harness		
1	G04-19A001V1	Safety Harness	1	
2	G04-19A002V1	Safety Harness Bush	6	
3	G04-19A003V1	Safety Harness Bush Washer Ø8 x 20 x 4 mm	2	
137	G04-21A037V1	BHC M8 x 45	2	Loctite 243
139	G04-21A039V1	FHC M8 x 40	4	Loctite 243
212	G04-21B012V1	Flat Washer Ø8 x 22	2	
304	G04-21C004V1	Nylstop M8	4	
314	G04-21C014V1	Nut Hh Nylstop M8	2	



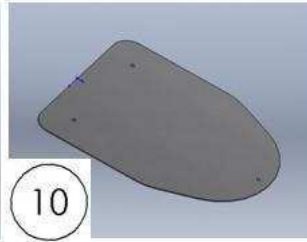
Rep.	Reference	Part Name	Qty	Comment
	G04-19000	Safety Harness		
179	G04-21A079V1	STHC M8 x 16	4	Loctite 577



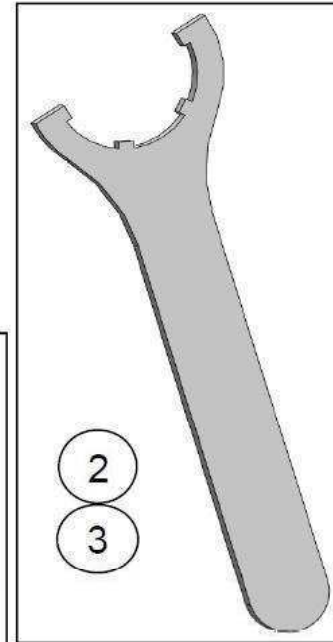
1



9

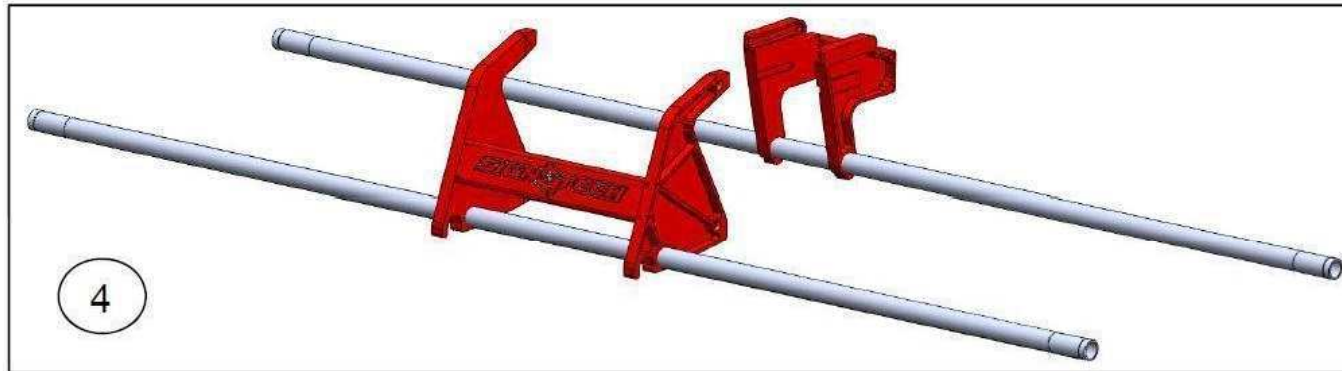


10



2

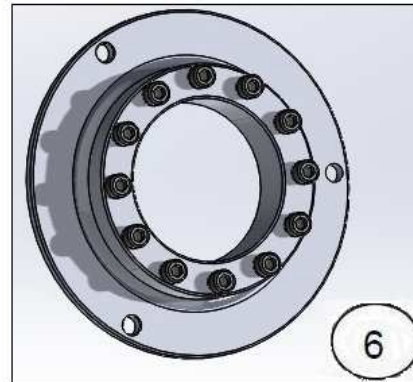
3



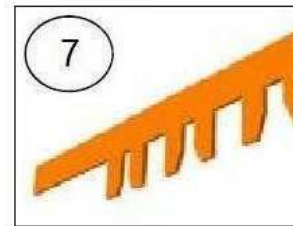
4



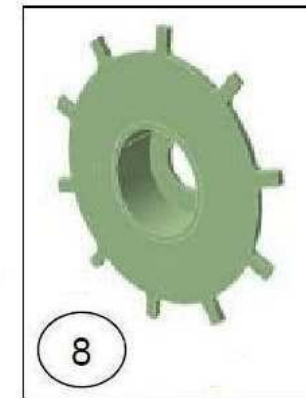
5



6

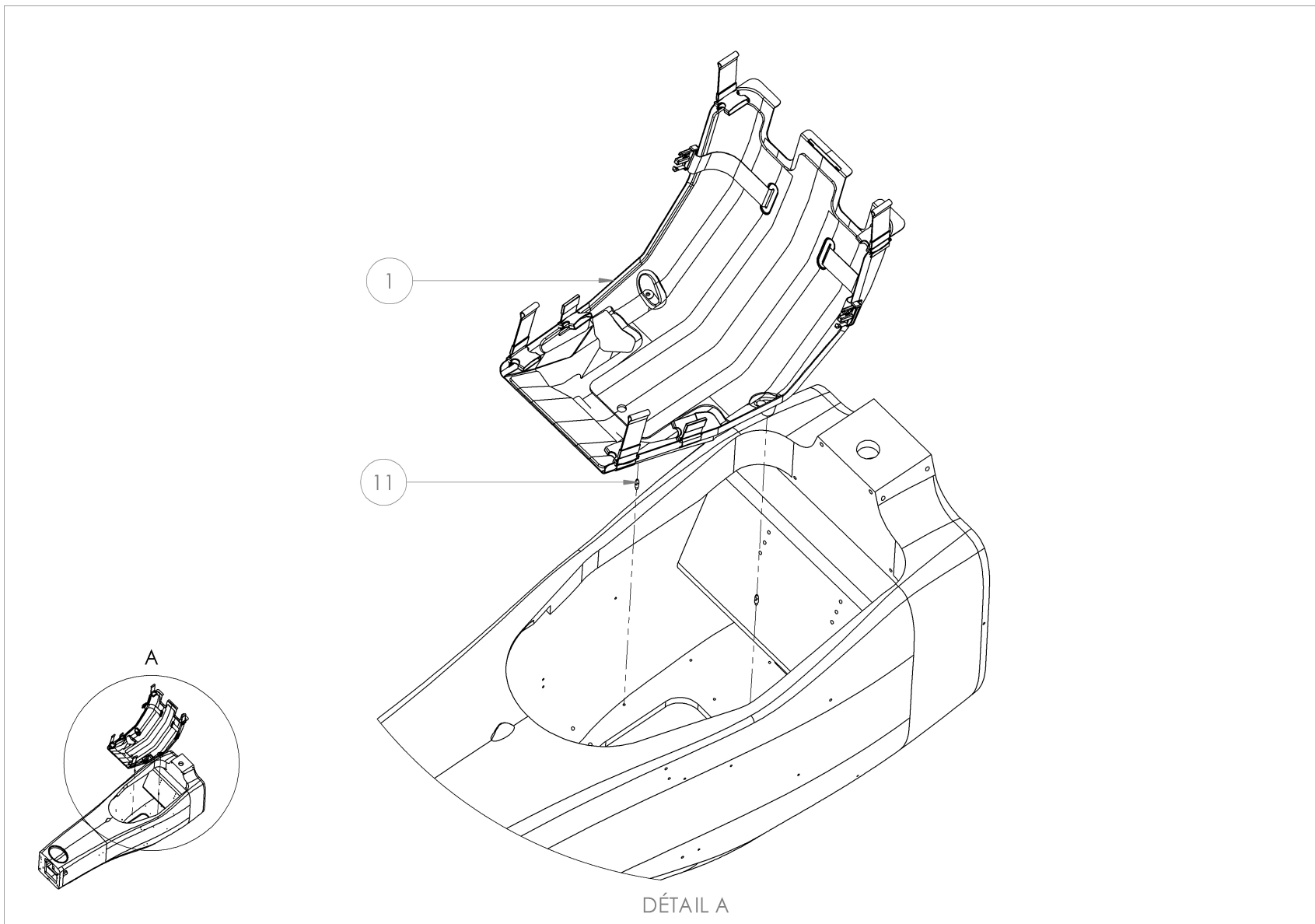


7



8

Rep.	Reference	Part Name	Qty	Comment
	G04-20000	Tooling		
1	G04-20A001V1	Front Bearing Stud Mounting Tool	1	
2	G04-20A005V1	Damper Spanner (small adjusting platform)	1	
3	G04-20A006V1	Red Damper Spanner (big adjusting platform)	1	
4	G04-20A007V1	Toe Tooling Kit	1	
5	G04-20A009V1	Electronic Throttle for Mechanic (joystic)	1	
6	FOUT9002008	Differential Locking Tool	1	
7	FOUT0085003	Fork Adjustment Tool	1	
8	FOUT90020401	Final Drive Backlash Adjuster	1	
9	G04-20A023V1	Ballast	-	Thickness=1.5mm;Weight=1.5kg
10	G04-20A024V1	Ballast Steel Cover	1	Thickness=3mm ; Weight=2kg
	G04-20A011V1	PI Beacon transmitter	1	
	G04-20A015V1	Complete PI Kit Option	1	
	G04-20A016V1	Damper Nitrogen Pressure Kit	1	
	G04-20A018V1	PI Memory Card	1	
	G04-20A019V1	PI Rubber Card Holder	1	



Rep.	Reference	Part Name	Qty	Comment
	G04-23A000	Extractable Seat		
1	G04-23A001V1	Extractable Seat	1	
11	G04-23A011V1	Centering Pin	2	