

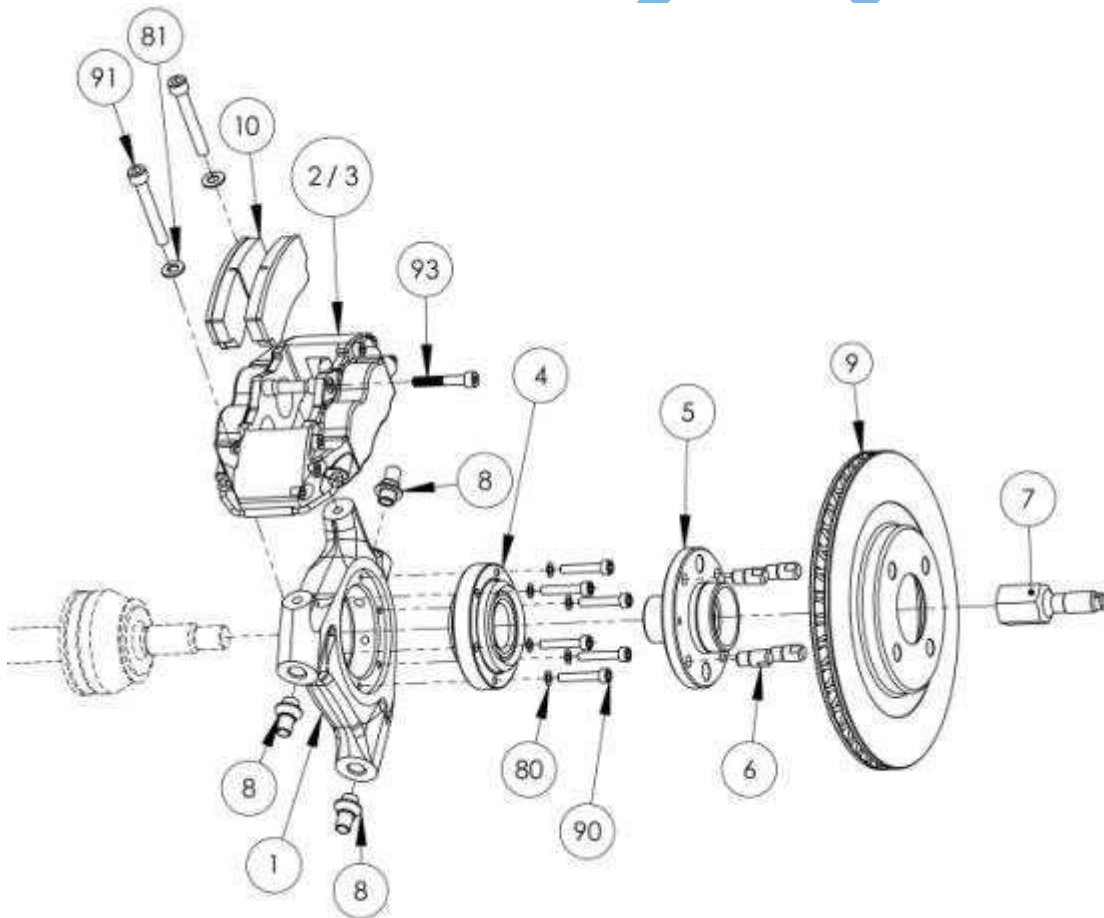
Bulletin no 1/2020

2020 TECHNICAL REGULATIONS UK

ARTICLE 11 - BRAKES

Brake Disc

The minimum thickness between the two friction faces cannot be less than **15,5 mm**.



RA 2007221